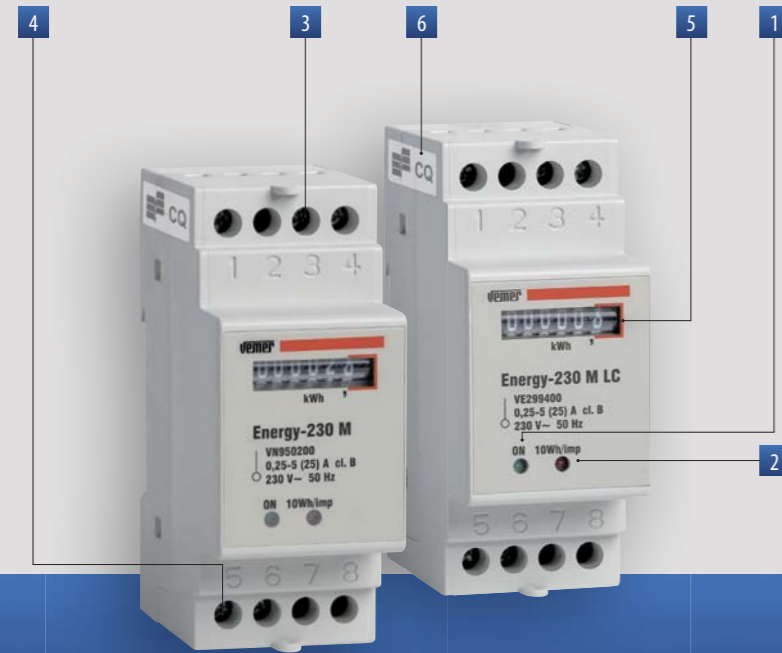


# Energy meters

## ENERGY-230 M ENERGY-230 M LC

Static energy meters to view the consumption of active energy in 230 V single-phase systems. Complies with the MID directive.



- 1 1 Green Led on: power on
- 2 "Blinking" Red LED: active energy consumption  
Every flash = 10 Wh
- 3 Blanks for the insertion of measurement leads
- 4 Blanks for impulse outlets (Energy-230 M only)
- 5 Energy meter counter
- 6 MID metrological instrument seal

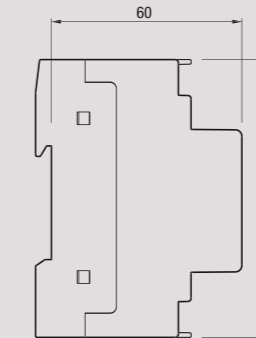


### DIMENSIONS (mm)

#### Front view

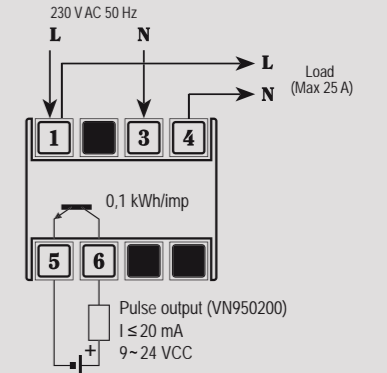


#### Side view



### CONNECTION DIAGRAM

#### Diagram



## MEASUREMENT AND CONTROL

### DIRECT CONNECTION MID SINGLE-PHASE METERS

- Power supply: 230 V AC (-15% ÷ +10%)
- Mounting: DIN rail
- Class index: B
- Max measurable current: 25 A
- Static meter with direct connection max 25 A
- Non zeroable electromechanic 5 digit + decimal numerator
- Active energy consumption indication 1 LAMP = 10 Wh
- Format 2 DIN modules
- Impulse outlet for PC visualising (Energy-230 M only), using special software and relative receiver module for consumed energy



### GENERAL CHARACTERISTICS

Power supply	V AC	230 (-15 ÷ +10%)
Frequency	Hz	50
Electromechanic numerator		5 digits + decimal
Reading resolution	kWh	0.1
Class index		B
Absorption	Voltmetric circuit	VA 4
	Amperometric circuit	VA 2
Reference current	A	5
Maximum current	A	25
Starting current	mA	20

Optoisolated pulse output*	Impulse weight	kWh	0.1
	Impulse duration	ms	100 (±15%)
	Impulse voltage	V DC	9 ÷ 24 (±15%)
	Maximum output energy	mA	<20
Operating temperature		°C	-10 ÷ +40
Storage temperature		°C	-25 ÷ +70
Container			2 DIN modules
Humidity			10 ÷ 90% non condensing
Degree of protection			IP20 / 51 frontal

\* Energy-230 M model only

Code	Model	Description	Dimensions
VN950200	Energy-230 M	MID single-phase energy meter with impulse outputs	2 DIN modules
VE299400	Energy-230 M LC	MID single-phase energy meter	2 DIN modules

### REFERENCE STANDARDS

Compliance with Community Directive: 2004/22/EC (MID) is declared in reference to the following harmonised Standards: EN 50470-1 and EN 50470-3