

Presence detectors - talis II P 360-20-1

Item 18.06.0018.1



PRODUCT DESCRIPTION

This variant extends the standard model's talis II P 360-8-1 range to encompass detection over 20 metres/360°. It is designed for ceiling mounting, but can also be surface mounted on a wall using the talis II SM box 10 accessory. The presence detector is highly sensitive and especially well-suited for larger indoor areas. It utilises passive infrared technology to detect even the smallest of motions and, when there are people present, switch the connected electric consumer automatically depending on the ambient brightness. This presence detector offers a high energy efficiency through regular light balancing and offline function when there is sufficient daylight.

APPLICATIONS

- ▶ Building Entrances and Corridors
- ▶ Classroom
- ▶ Conference Room
- ▶ Garage
- ▶ Hotel Rooms
- ▶ Indoor/Outdoor Lighting
- ▶ Light Control
- ▶ Offices
- ▶ Outdoor Applications
- ▶ Residential
- ▶ Stairwells
- ▶ Storage Rooms
- ▶ Toilets
- ▶ Work and Meeting Spaces

TECHNICAL DATA

General

Model Number	18.06.0018.1
Description	talis II P 360-20-1
EAN Code	4010940045999
Scope of application	Inside/Outside

Control Specifications

Sensor Type	Passive Infra-Red (PIR)
Light level	approx. 10 Lux - infinite Lux; Lux Memory

Mechanical Specifications

Mounting Options	Ceiling; Surface Mounting (with accessories only); False Ceiling
------------------	--

Dimensions

Product Height (mm)	82
Product Width (mm)	82
Product Depth (mm)	104.4

Material Specifications

Color	White (similar to RAL 9016)
Product Weight (kg)	0.154

Communication Method

Wired

2-Wire

Electrical Specifications

Supply Voltage	AC 230 V \pm 10% 50-60 Hz
Load incandescent bulb	max. 2000 W
Load halogen lamp	1000 W (AC); 1000 VA / 900 W (LV Electronic); 1000 VA / 600 W (LV Conventional)
Load compact fluorescent lamp	max. 100 μ F (non-compensated)
Load LED lamp	max. 400 W
Load energy-saving bulbs	400 W; 600 VA; incl. CFL and PL lamp
Fluorescent Lamps	12 x 2 x 18 W; 25 x 1 x 18 W; 5 x 2 x 58 W; 10 x 1 x 58 W; 7 x 2 x 36 W; 15 x 1 x 36 W
Power consumption (Standby)	<1 VA
Parallel switching	Max 6 Sensors

Benefits

Channels	1
----------	---

Display and Format

Angle of detection	360°
Range small movements	Ø 4 m
Range walking towards	Ø 8 m
Range walking across	Ø 20 m
Installation height	2,5 m
Time setting (1CH)	approx. 5 sec. - 30 min

Operating Specifications

Operating mode	Impulse function; Test Mode; Learning Function
----------------	--

Environmental Specifications

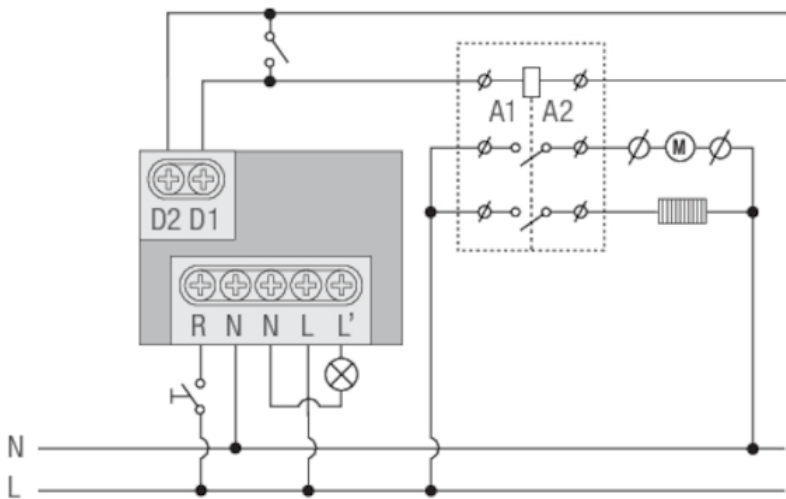
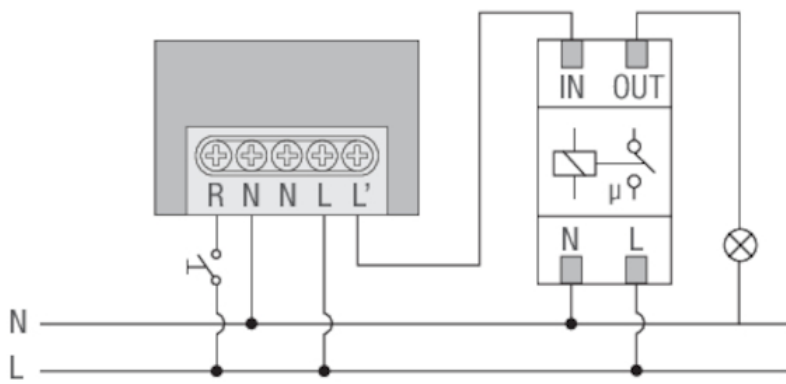
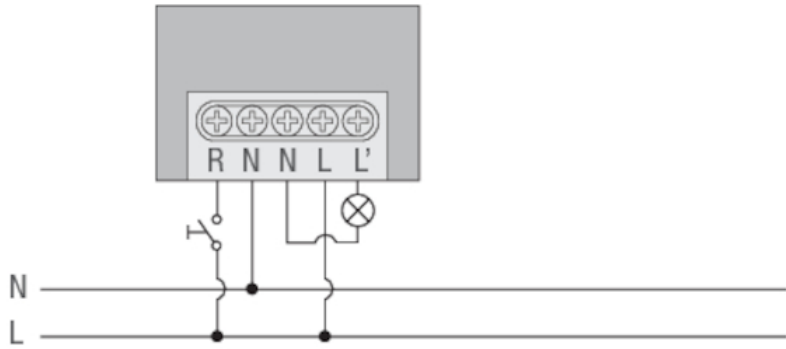
Temperature (operation)	0°C..45°C
-------------------------	-----------

Standards and Certifications

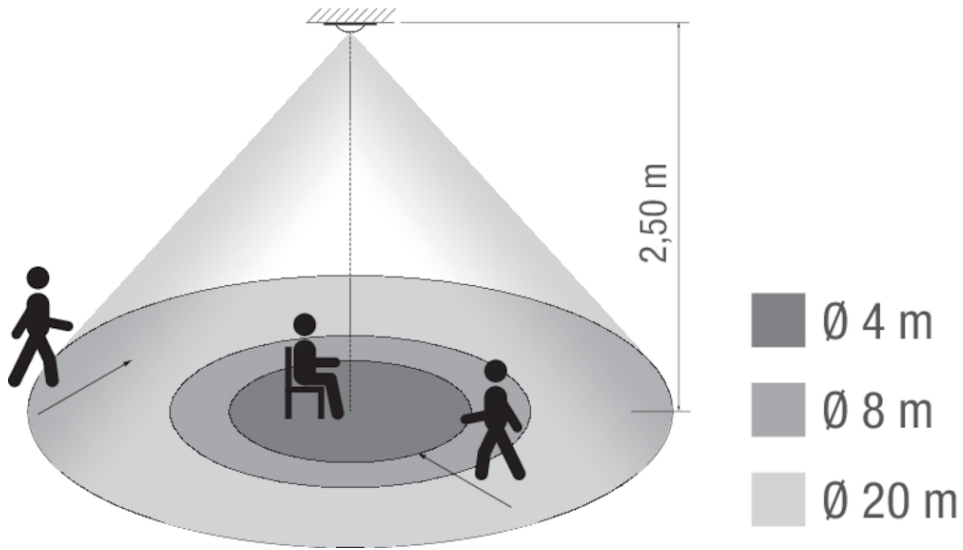
Approval mark	CE
Protection class	II, According to Corresponding Mounting
Protection type	IP40
Standards and Guidelines	EN 55015; EN 60669-1; EN 61000-3-3; EN 61547; 2006/95/CE (LVD); EN 60660-2-1; 2004/108/CE (EMV); EN 61000-3-2

ANNEX

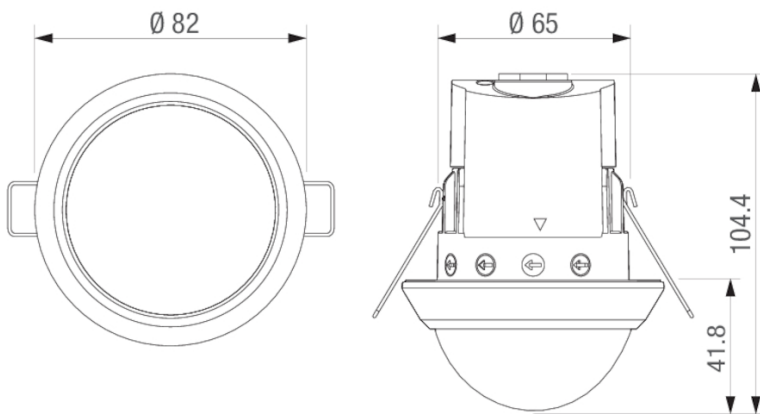
CIRCUIT DIAGRAMS



RANGE DIAGRAMS



DIMENSIONAL DRAWINGS



ACCESSORIES



07.10.0003.1
talis II SM BOX 10