

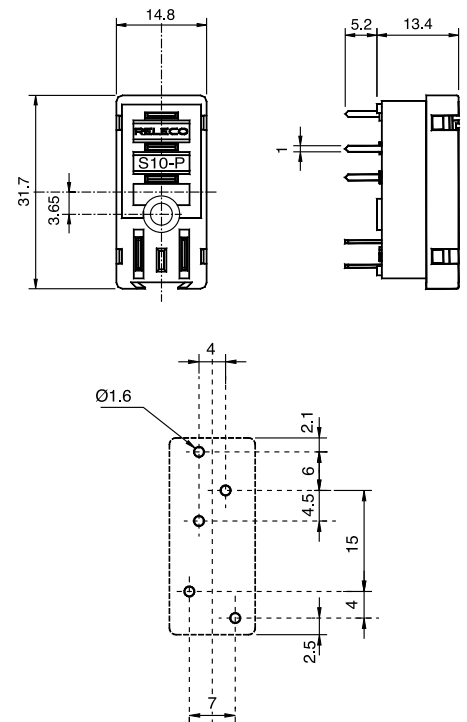
## S10-P

### Printed circuit socket for Interface relays, C10 and CSS

<b>Type:</b>	<b>S10-P</b> Printed circuit socket for 1-pole IRC relay
<b>Rated current</b>	<b>10 A</b>
<b>Specifications</b>	
Rated load	10 A / 250 V
Insulation	Test voltage V rms / 1 min
Coil terminals to contacts	5 kV rms
Hard Brass tin-platted terminals	0,5 x 1 mm
Integrated retaining clip/plastic	for relay series C10, CSS (CP-24B)
Labelling space	detachable
Connection label	1...5; DIN/EN
Ambient temperature operation/storage	-40 (no ice)...60 °C / -40 ... 80 °C
Weight	7g
<b>Accessories</b>	
Retaining clip, plastic	<b>CP-24B</b>



#### Dimensions [mm]



#### Technical approvals, conformities



IEC 61810 EN 60947