

Starting Torque Limiter – CTC3415

Type: CTC3415

The starting torque limiters of the CTC range are activated via an upstream contactor. The start-up torque can be limited to 1 to 85 % of the nominal torque. Typical applications are blowers and smaller machinery.

Output

Switching element	Thyristor
Numbers of phases	1
Nominal voltage (U _{nom})	400 VAC
Output voltage range	208 – 480 VAC
Reverse voltage	1200 V _{rrm}
Peak reverse voltage	1300 V _{rsm}
Min. load	50 mA
Max. leakage current	5 mA
Max. inrush current	120 A
Operation current AC-53B @ U _{nom}	15 A
Switching cycles/h	3000 cycles/h
Startup time	0,5 – 5 s
Max. response time	1 period
Limit load	1800 A ² s

Insulation

Insulation voltage	4 kV
Dielectric strength	660 V

General Specifications

Ambient temperature storage/operation	-20 – 80°C / -5 – 40°C
Connection terminals	Screw terminal 10 mm ²
Ingress protection degree	IP 20
Mounting	DIN rail TS35
Housing material	PPE Noryl SE1 / Aluminium
Weight	650 g

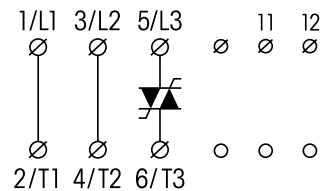
Standard type

Starting Torque Limiter

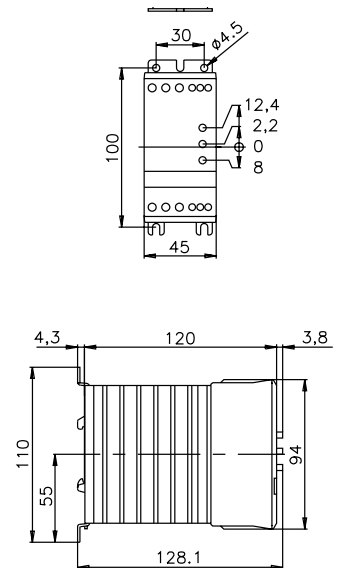
CTC3415



Connection diagram



Dimensions [mm]



Technical approvals, conformities

