

# Performance Regulator – CPC1430 (one phase)

## Type: CPC1430

The one-phase solid-state performance regulator CPC is suitable for triggering heating elements, lamps and transformers up to 50 A. Performance is controlled through a potentiometer or analogue standard signal. It has a 24 VDC voltage supply.

### Output

Switching element	Thyristor
Numbers of phases	1
Nominal voltage ( $U_{nom}$ )	400 VAC
Output voltage range	380 – 480 VAC
Reverse voltage	1200 V <sub>rrm</sub>
Peak reverse voltage	1300 V <sub>rsm</sub>
Min. load	10 mA
Max. leakage current	1 mA
Operation current AC-1/51 @ $U_{nom}$	30 A
Operation current AC-53 @ $U_{nom}$	30 (non uL)
Response/Release time	20 ms
Limit load	1800 A <sup>2</sup> s

### Input

Voltage	24 VAC/VDC
Control signal	0 – 10 V, 10 – 0 V 0 – 20 mA, 20 – 0 mA 4 – 20 mA, 20 – 4 mA
Potentiometer	0 – 10 k $\Omega$ , 10 – 0 k $\Omega$

### General Specifications

Ambient temperature storage/operation	-20 – 80°C / -5 – 40°C
Connection terminals	Screw terminal 2,5 mm <sup>2</sup>
Ingress protection degree	IP 20
Mounting	DIN rail TS35
Housing material	PPE Noryl SE1 / Aluminium
Weight	650 g

### Insulation

Insulation voltage	4 kV
Dielectric strength	660 V

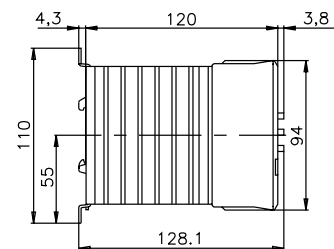
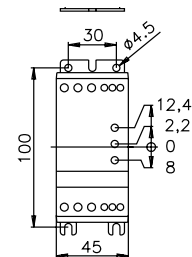
### Standard type

Starting Torque Limiter

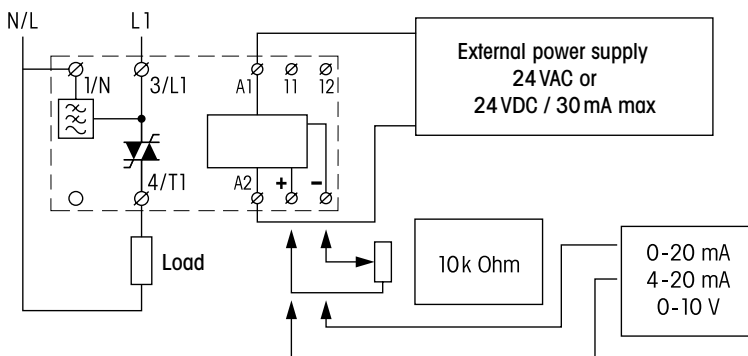
**CPC1430**



### Dimensions [mm]



### Connection diagram



### Technical approvals, conformities

