

Performance Regulator – CPC1230 (one phase)

Type: CPC1230

The one-phase solid-state performance regulator CPC is suitable for triggering heating elements, lamps and transformers up to 50 A. Performance is controlled through a potentiometer or analogue standard signal. It has a 24 VDC voltage supply.

Output

Switching element	Thyristor
Numbers of phases	1
Nominal voltage (U_{nom})	230 VAC
Output voltage range	380 – 480 VAC
Reverse voltage	1000 V _{rrm}
Peak reverse voltage	1100 V _{rsm}
Min. load	10 mA
Max. leakage current	1 mA
Operation current AC-1/51 @ U_{nom}	30 A
Operation current AC-53 @ U_{nom}	30 (non uL)
Response/Release time	20 ms
Limit load	1800 A ² s

Input

Voltage	24 VAC/VDC
Control signal	0 – 10 V, 10 – 0 V 0 – 20 mA, 20 – 0 mA 4 – 20 mA, 20 – 4 mA
Potentiometer	0 – 10 k Ω , 10 – 0 k Ω

General Specifications

Ambient temperature storage/operation	-20 – 80°C / -5 – 40°C
Connection terminals	Screw terminal 2.5 mm ²
Ingress protection degree	IP 20
Mounting	DIN rail TS35
Housing material	PPE Noryl SE1 / Aluminium
Weight	650 g

Insulation

Insulation voltage	4 kV
Dielectric strength	660 V

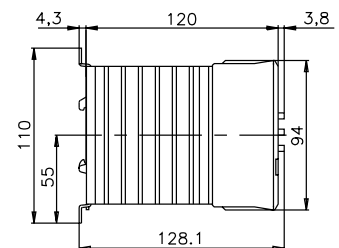
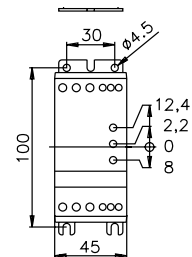
Standard type

Starting Torque Limiter

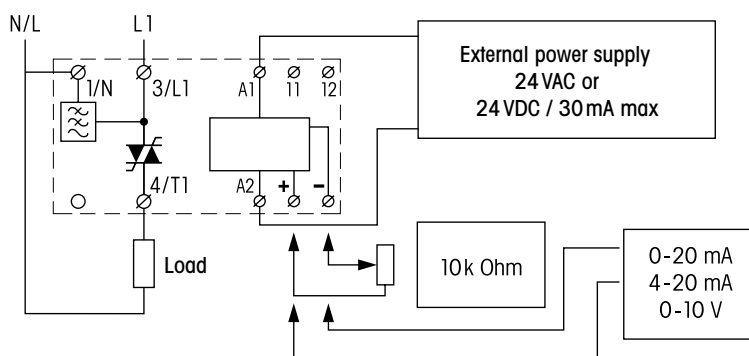
CPC1230



Dimensions [mm]



Connection diagram



Technical approvals, conformities

