

## CMC15

### DC Motor controller with adjustable start and braking ramps and speed control by 0 ... 10 V signal for DC motors up to 240W

#### Type: CMC15/DC12-24V

The CMC15 is a control device for DC motors and permits operation in both rotating directions, i. e. the rotating direction can be reversed with the input signal. Alternatively two motors can be operated in the same rotating direction. The motor speed is set by a 0 – 10 V signal.

**Maximum load** **10 A / 24 V**

Outputs	Drive
Type	MOSFET H bridge
Nominal switching current	10 A
Inrush current	20 A / max. 3 s
Nominal voltage	24 V
Switching power	240 W

Analogue inputs	
Nominal operating voltage range (DC)	0 – 10 V
Resolution	8 Bit
Input impedance	55 kΩ

Power supply	
Nominal operating voltage (DC)	12 – 24 V
Operating voltage (DC)	8 – 28 V
Max. current consumption without load	10 mA
Max. power consumption	DC
12 V	120 mW
24 V	240 mW

Time response	
Start ramp	0 – 2 s
Braking ramp	0 – 2 s

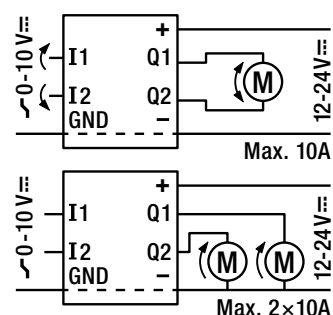
General Specifications	
Ambient temperature storage/operation	-40 – +85°C / -25 – +60°C
Connection terminals	Screw terminal 2.5 mm <sup>2</sup>
DC voltage endurance at rated load	> 100 000 h (at 25 °C)
Ingress protection degree	IP 20
Mounting	DIN rail TS35
Housing material	Aluminium
Weight	80 g

#### Standard types

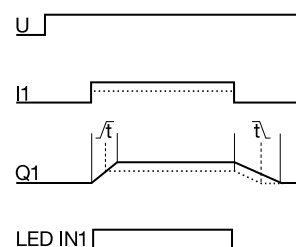
**DC 12-24** **CMC15/DC12-24V**



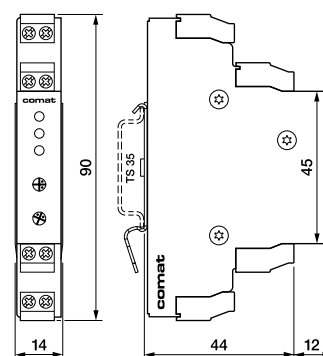
#### Connection diagram



#### Function diagramm



#### Dimensions [mm]



#### Technical approvals, conformities

