

Softstarter with dynamic breaking – CCMB3H425 (2 phases switched)

Type: CCMB3H425

Softstarter CCMB also offers a dynamic break function with automatic standstill detection in addition to the functions of the CCM3 range. They provide an output for an external bypass and have a nominal current of 25A.

Output

| | |
|--|-----------------------|
| Switching element | Thyristor |
| Numbers of phases | 2 |
| Bypass | externally |
| Nominal voltage (U_{nom}) | 400 VAC |
| Output voltage range | 400 – 480 VAC |
| Reverse voltage | 1600 V _{rrm} |
| Peak reverse voltage | 1650 V _{rsm} |
| Min. load | 1 A |
| Max. leakage current | 5 mA |
| Max. inrush current | 200 A |
| Operation current AC-58 @ U _{nom} | 25 A |
| Response/Release time | 100 ms |
| Limit load | 6300 A ² s |

Input

| | |
|-----------------|--------------|
| Voltage | 24 – 230 VAC |
| Min. voltage | 20,4 VAC |
| Max. voltage | 253 VAC |
| Release voltage | 5 VAC |
| Max. current | 15 mA |

Insulation

| | |
|---------------------|-------|
| Insulation voltage | 4 kV |
| Dielectric strength | 660 V |

General Specifications

| | |
|---------------------------------------|----------------------------------|
| Ambient temperature storage/operation | -20 – 80°C / -5 – 65°C |
| Connection terminals | Screw terminal 6 mm ² |
| Ingress protection degree | IP 20 |
| Mounting | DIN rail TS35 |
| Housing material | PPE Noryl SE1 / Aluminium |
| Weight | 1050 g |

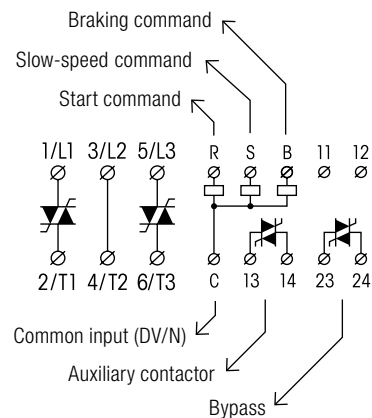
Standard type

Starting Torque Limiter

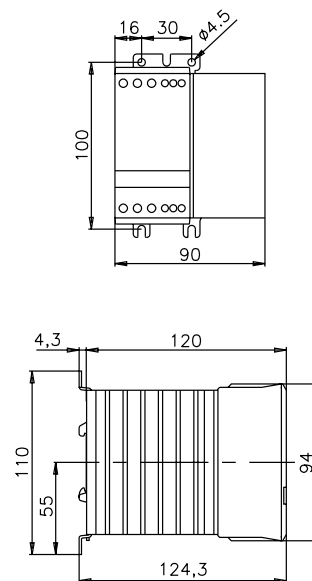
CCMB3H425



Connection diagram



Dimensions [mm]



Technical approvals, conformities

