

# Solid State Contactor – CC3H420 (three phase)

## Type: CC3H420

The CC series solid-state contactors are suitable for the contactless and non-wearing switching of ohmic and inductive AC loads at high switching frequency. They come with an operating voltage up to 600 VAC and nominal current up to 50 A with two and three phases. They come with control voltages of either 5–24 VDC or 24–230 VAC/VDC.

### Output

Switching element	Thyristor
Numbers of phases	3
Nominal voltage ( $U_{nom}$ )	400 VAC
Output voltage range	24 – 480 VAC
Reverse voltage	1200 V <sub>rrm</sub>
Peak reverse voltage	1300 V <sub>rsm</sub>
Min. load	10 mA
Max. leakage current	1 mA
Operation current AC-1/51 @ $U_{nom}$	20 A
Operation current AC-3 @ $U_{nom}$	10 A
Operation current AC-55b @ $U_{nom}$	10 A
Operation current AC-56a @ $U_{nom}$	5 A
Response/Release time	20 ms
Limit load	610 A <sup>2</sup> s

### Input

Voltage	24 – 230 VAC/VDC
Min. voltage	20,4 VAC/VDC
Max. voltage	253 VAC/VDC
Release voltage	7,2 VAC/VDC
Max. current	6 mA

### General Specifications

Ambient temperature storage/operation	-20 – 80°C / -5 – 40°C
Connection terminals	Screw terminal 10 mm <sup>2</sup>
Ingress protection degree	IP 20
Mounting	DIN rail TS35
Housing material	PPE Noryl SE1 / Aluminium
Weight	1050 g

### Insulation

Insulation voltage	4 kV
Dielectric strength	660 V

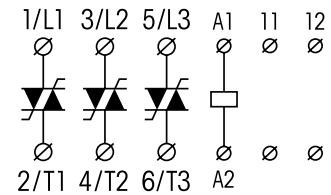
### Standard type

Starting Torque Limiter

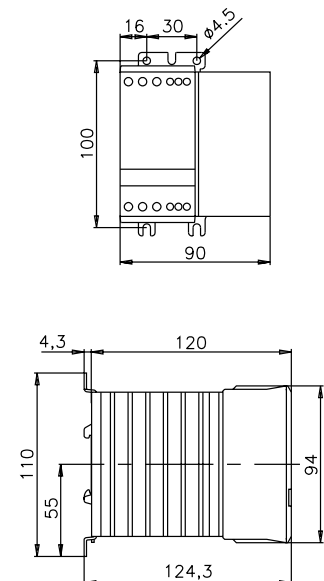
**CC3H420**



### Connection diagram



### Dimensions [mm]



### Technical approvals, conformities

