

CY1

Star-delta | 24 ... 60 V UC | 110 ... 240 V UC | 1 NO + 1 CO

Time data

Timing functions	Y
Timing range	Star time: 0.5 s ... 60 s / switchover time 50 ms / 100 ms
Timing scale	6 s / 60 s

Main circuit

Number of contacts	1 NO + 1 CO
Contact Material	AgNi
Rated voltage	250 V
Rated current	6 A
Minimum load	10 mA, 10 V
Inrush current	30 A, 10 ms
Rated load DC	fig. 2
Rated load AC-1	1500 VA
Mechanical endurance (cycles)	3×10^7
Electrical endurance at rated load AC-1 (cycles)	fig. 3

Control circuit

Nominal voltage	24 ... 60 V UC	110 ... 240 V UC
Operating voltage range	20 ... 75 V	90 ... 265 V
Power consumption AC / DC	1 VA / 1 W	
Rated frequency	48 ... 63 Hz	48 ... 63 Hz

Insulation

Rated test voltage control / main circuit	2 kV rms / 1 min
Rated test voltage main / main circuit	2 kV rms / 1 min
Rated test voltage open contact	1 kV rms / 1 min
Pollution degree	2
Overtoltage category	III

General data

Ambient temperature storage	-40 ... 85 °C
Ambient temperature operation	-25 ... 60 °C
Conductor cross section	2.5 mm ² , 2 x 1.5 mm ²
Nominal screw torque	0.4 Nm
Module width	fig. 4
Weight	76 g
Protection degree	IP 20
Housing material	PC

Product references

Types	Product reference	24-60	110-240
UC supply	CY1/UC...V	✓	✓

"..." list control circuit voltage to complete product references.
Other voltages on request. Please contact support@comatreleco.com.

Accessories

Labels	BZS DIN 17.5 mm
--------	-----------------



fig. 1. Wiring diagram

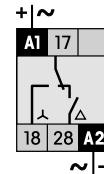


fig. 2. DC load limit curve

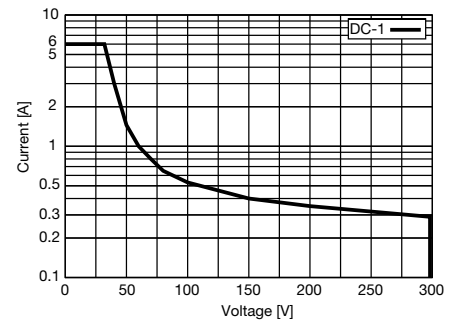


fig. 3. AC voltage endurance

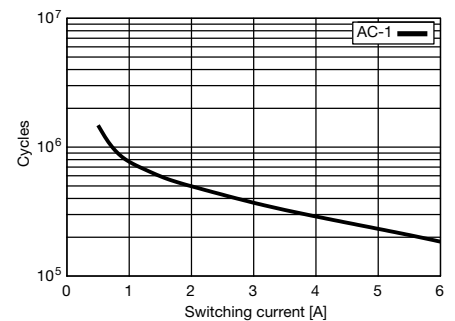
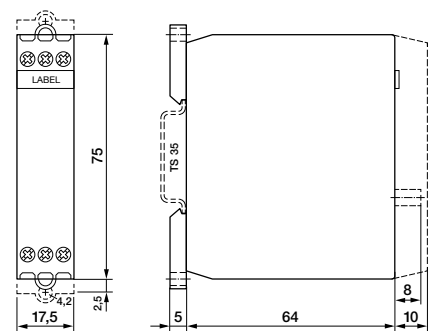


fig. 4. Dimensions (mm)



Standards and approvals

Standards IEC/EN 60947

Approvals