

AL5

Step switch | Auto - ON | Central ON - OFF | 230 V AC | 1 NO, pre-contact



Time data	
Timing functions	S
Main circuit	
Number of contacts	1 NO
Contact Material	W + AgSnO ₂
Rated voltage	250 V
Rated current	10 A
Minimum load	10 mA, 12 V
Inrush current	600 A, 2.5 ms / 120 A, 20 ms
Rated load DC	210 W, 30 V
Rated load AC-1	2500 VA
Mechanical endurance (cycles)	5 x 10 ⁶
Electrical endurance at rated load AC-1 (cycles)	5 x 10 ³
Control circuit	
Nominal voltage	230 V AC
Operating voltage range	187 ... 265 V
Power consumption AC / DC	2.5 VA
Typ. input current on command input AC / DC	120 mA
Typ. threshold voltage on command input AC / DC	165 V
Rated frequency	48 ... 62 Hz
Insulation	
Rated test voltage control / main circuit	2.5 kV rms / 1 min
Rated test voltage open contact	2.5 kV rms / 1 min
Pollution degree	2
Overvoltage category	III
General data	
Ambient temperature storage	-40 ... 85 °C
Ambient temperature operation	-25 ... 60 °C
Conductor cross section	2.5 mm ² , 2 x 1.5 mm ²
Nominal screw torque	0.4 Nm
Module width	fig. 4
Weight	98 g
Protection degree	IP 20
Housing material	PC

Product references

Types	Product reference	230
AC supply	AL5/AC...V	✓

"..." list control circuit voltage to complete product references.
Other voltages on request. Please contact support@comatreleco.com.

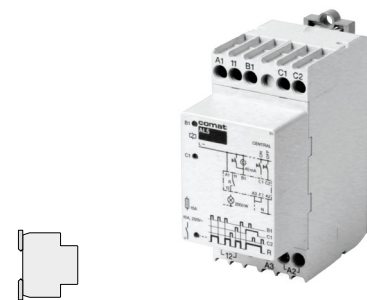


fig. 1. Wiring diagram

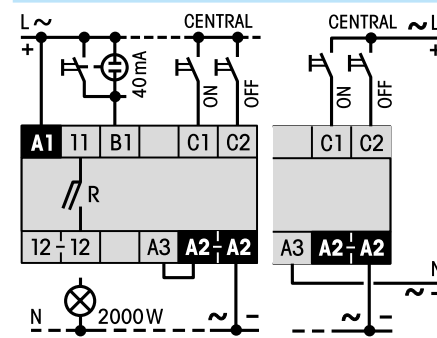
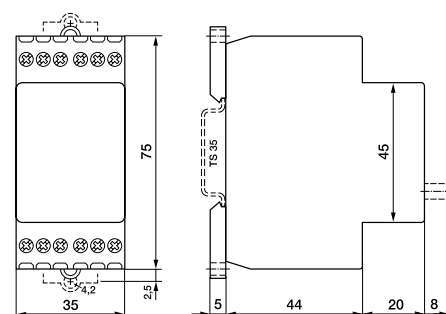


fig. 2. Dimensions (mm)



Standards and approvals

Standards IEC/EN 60947

Approvals