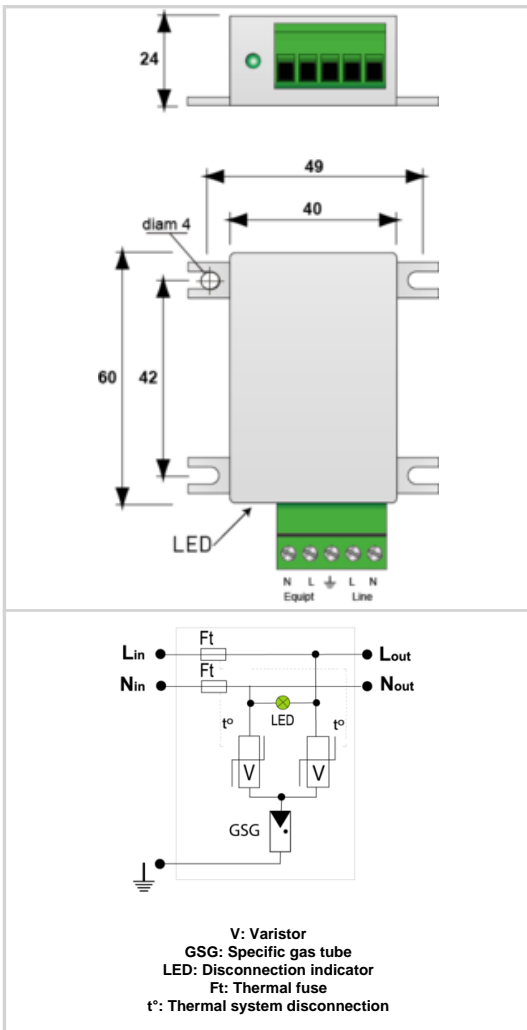


MSB10V-400



- › Compact type 2 + 3 surge protector
- › Wall mounting and hard wired connection
- › Status indicators
- › IP66
- › EN 61643-11 and IEC 61643-11, UL1449 ed.4 compliance



Electrical Characteristics	
SPD type (following IEC tests)	2+3
Network	230 V single-phase
AC system	TT-TN
Max. AC operating voltage	Uc 255 Vac
Max. load current	IL 16 A
Temporary Over Voltage (TOV) Characteristics - 5 sec. (Without disconnection)	UT 335 Vac withstand
Temporary Over Voltage (TOV) Characteristics - 120 mn (Without disconnection or with safety disconnection)	UT 440 Vac disconnection
Follow current	If None
Nominal discharge current (15 x 8/20 µs impulses)	In 3 kA
Max. discharge current (max. withstand @ 8/20 µs by pole)	Imax 10 kA
Withstand on Combination waveform IEC 61643-11 (Class III test: 1.2/50µs - 8/20µs)	Uoc 6 kV
Withstand on overvoltages IEEE C62.41.1	10 kV / 10 kA
Protection mode(s)	Common/Differential mode
Protection level L/N (@ In (8/20µs))	Up L/N 1.5 kV
Protection level L/PE (@ In (8/20µs))	Up L/PE 1.5 kV
Admissible short-circuit current	Iscrc 10 000 A
Mechanical Characteristics	
Technology	MOV+GDT
Connection to Network	screw terminal
Mounting	Wall or plate
Housing material	Thermoplastic UL94 V-0
Operating temperature	Tu -40/+85°C
Protection rating	IP20
Failsafe mode	Disconnection and AC line cut-off
Disconnection indicator	Green led OFF
Voltage/operating indicator	Green Led ON
Dimensions	See diagram
Weight	0.066 kg
Disconnectors	
Thermal disconnector	Internal
Installation ground fault breaker	Type 'S' or delayed
Standards	
Standards compliance	IEC 61643-11 / EN 61643-11 / UL1449 ed.4
Certification	EAC
Part number	
561101	