

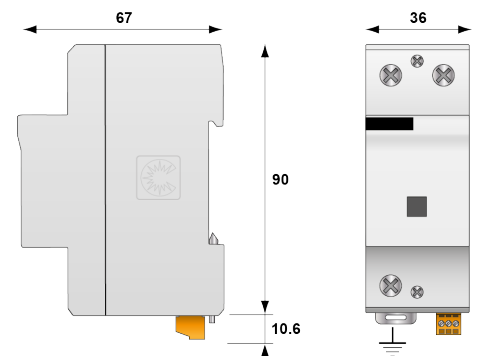
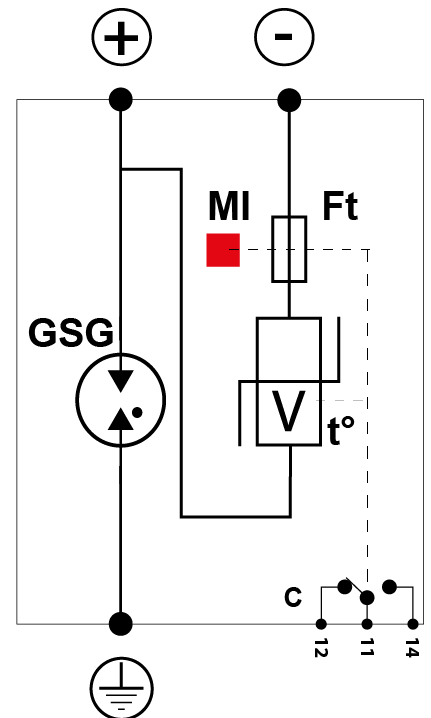


DS252C-48DC/G



- 2-poles surge protector 48 Vdc
- Type 1 and Type 2 application
- In 25 kA / I_{max} 70 kA
- Remote signaling
- I_{imp} 25 kA
- IEC 61643-11 and EN61643-11 compliance

| Electrical Characteristics | | |
|--|------------------------|---------------|
| SPD type <i>follow test IEC 61643-11</i> | | 1 + 2 |
| Network | | 48 Vdc |
| Nominal line voltage | U _n | 48 Vdc |
| Nominal DC voltage | U _{n-dc} | 48 Vdc |
| Max. DC operating voltage | U _c | 75 Vdc |
| Operating current <i>Continuous current at U_c</i> | I _c | none |
| Follow current | I _f | none |
| Nominal discharge current <i>15 x 8/20 μs impulses</i> | I _n | 25 kA |
| Max. discharge current <i>max. withstand @ 8/20 μs by pole</i> | I _{max} | 70 kA |
| Total Maximal discharge current <i>max. total withstand @ 8/20 μs</i> | I _{max} Total | 140 kA |
| Impulse current by pole <i>max. withstand 10/350μs by pole</i> | I _{imp} | 25 kA |
| Total lightning current <i>max. total withstand @ 10/350μs</i> | I _{total} | 50 kA |
| Connection mode | | +/- and +/-PE |
| Protection model(s) | | MC/MD |
| Protection level <i>@ I_n (8/20μs)</i> | U _p | 1.5/0.5 kV |
| Protection level <i>@ I_n (8/20μs) and @ 6kV (1.2/50μs)</i> | U _p | 0.5 kV |
| Protection level <i>@ I_n (8/20μs) between L/PE</i> | U _p L/PE | 1.5 kV |
| Protection level L/N <i>@ I_n (8/20μs)</i> | U _p L/N | 0.5 kV |
| Protection level CM/DM <i>@ I_n (8/20μs)</i> | U _p mc/md | 1.5/0.5 kV |
| Specific energy by pole <i>max. withstand 10/350 μs</i> | W/R | 156 kJ/ohm |
| Maximum Follow current <i>I_f</i> | A | None |
| UpstreA, Class Jm MA, Class Jximum fuse <i>RA, Class Jting, Type</i> | | 315A, Class J |
| Internal Thermal protection | | Yes |
| Modes of protection | | ALL |





| Mechanical Characteristics | | |
|-----------------------------------|--|--|
| Technology | | MOV + GDT |
| SPD configuration | | 2 poles |
| Connection to Network | | By screw terminals : 6-35 mm ² / by bus |
| Format | | 1-pole modular box |
| Mounting | | Symmetrical rail 35 mm (EN60715) |
| Housing material | | Thermoplastic UL94-V0 |
| Operating temperature | | -40/+85°C |
| Protection rating | | IP20 |
| Failsafe behavior | | Disconnection |
| Disconnection indicator | | 1 mechanical indicator |
| Spare module | | - |
| Remote signaling of disconnection | | output on changeover contact |
| Technology | | MOV+GDT |
| Disconnectors | | |
| Thermal disconnecter | | internal |
| Fuses | | Fuses type gG - 315 A |
| Norms | | |
| Standards compliance | | IEC 61643-11 / EN 61643-11 / UL1449 4ed. |
| Certification | | EAC |
| Code article | | 3415 |