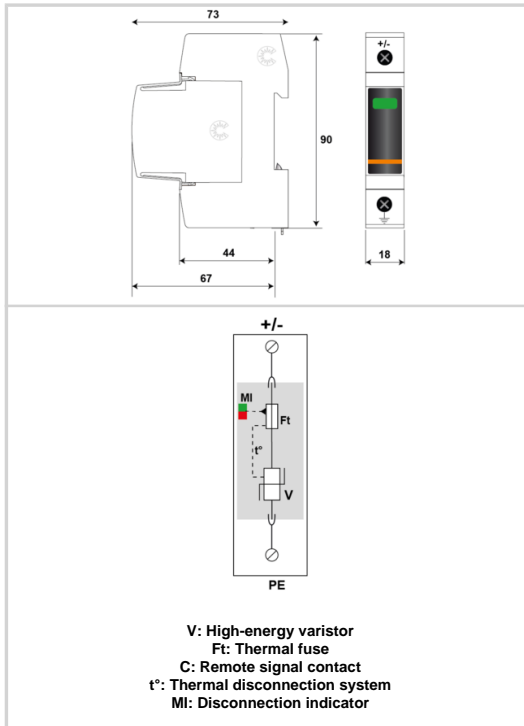


DDC30-10-65



- Surge protector for DC supplies 1-pole
- Type 1 + 2
- In: 15 kA / I_{max}: 30 kA
- I_{imp}: 4kA
- Pluggable module
- Remote signaling (option)
- prIEC 61643-41 compliance



Electrical Characteristics		
SPD type (following IEC tests)		1+2
Nominal DC voltage	Un-dc	48 Vdc
Max. AC operating voltage	Uc	50 Vac
Max. DC operating voltage	Uc	65 Vdc
Residual Current (Leakage current to Ground)	I _{pe}	< 0.1 mA
Follow current	I _f	None
Nominal discharge current (15 x 8/20 μs impulses)	I _n	15 kA
Max. discharge current (max. withstand @ 8/20 μs by pole)	I _{max}	30 kA
Impulse current by pole (max. withstand 10/350 μs by pole)	I _{imp}	4 kA
Total lightning current(max. total withstand @ 10/350 μs)	I _{total}	60 kA
Connection mode(s)		+/-PE or -/PE
Protection level +/-PE (-/PE)(@ I _n (8/20 μs))	U _p	300 V / -
Admissible short-circuit current	I _{sc}	50 000 A
Mechanical Characteristics		
Technology		MOV
SPD configuration		1-pole
Connection to Network		Srew terminals: 2.5-25 mm ² +/- : 1.5-10 mm ²
Pluggable		Yes
Mounting		Symmetrical rail 35 mm (EN 60715)
Housing material		Thermoplastic UL94 V-0
Operating temperature	T _u	-40/+85°C
Protection rating		IP20
Failsafe mode		Disconnection from AC network
Disconnection indicator		1 mechanical indicator - Red/Green
Spare module(s)		MDDC30-65
Remote signaling of disconnection		Option DDC30S-10-65: output on changeover contact
Wiring for remote signaling		1.5 mm ² max.
Max. Voltage/Current for remote signaling		250 V / 0.5 A (AC) / 30 V / 3 A (DC)
Dimensions		See diagram - 1TE (EN43880)
Weight		0.094 kg
Disconnectors		
Thermal disconnector		Internal
Fuses		50 A mini. - 125 A max. - Fuses Type gG
Standards		
Standards compliance		prIEC 61643-41
Part number		
828110111		