

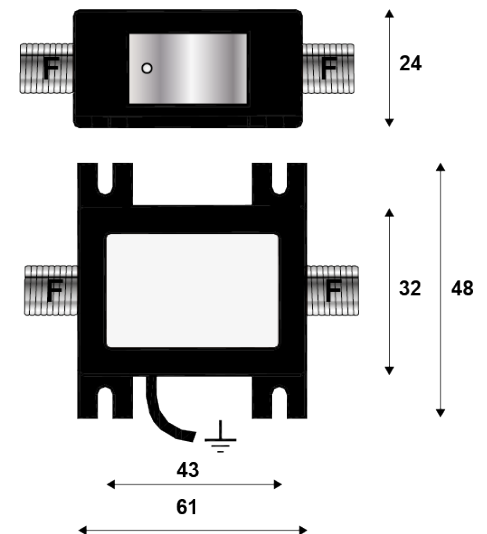
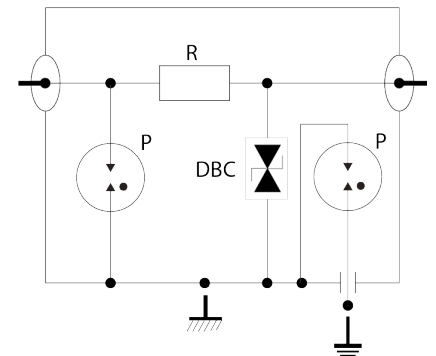


## CNP06 F/FF

- Coaxial surge protector
- Multiples connectors
- Low insertion loss
- Easy installation\$



Electrical Characteristics		
Network		coaxial DC-100 MHz
Nominal line voltage	Un	5 V
Max. DC operating voltage	Uc	10 V
Operating current <i>Continuous current at Uc</i>	Ic	none
Max. discharge current <i>max. withstand @ 8/20 μs by pole</i>	I <sub>max</sub>	20 kA
Max. load current	IL	0.5 A
Protection mode(s)		MC
Protection level <i>@ In (8/20 μs)</i>	Up	20 V
Protection level L/N <i>@ In (8/20 μs)</i>	Up L/N	20 V
Protection level L/PE <i>@ In (8/20 μs)</i>	Up L/PE	20 V
Impulse current <i>2 x 10/350 μs Test - D1 Category</i>	I <sub>imp</sub>	2.5 kA
Nominal discharge current <i>8/20 μs Test x 10 - C2 Category</i>	I <sub>n</sub>	5 kA
Max. frequency	f	DC-100 MHz
Impedance		50/75 ohms
Insertion loss		≤ 0.5 dB
Max Power		4 W
Return loss		≥ 20 dB
VSWR		< 1.3:1
Maximum Follow current <i>If</i>	A	None
bandwith limit <i>low</i>	kHz	dc
bandwith limit <i>high</i>	kHz	100000
Impedance	Ω	50/75
Insertion loss <i>Maximum</i>	db	<0.5
Return Loss <i>Minimum</i>	db	>20
VSWR <i>Maximum</i>	:1	<1.2:1





Electrical Characteristics		
Nominal Discharge Current <i>In (8/20µs x 10)</i>	kA	5
DC Pass		Yes
Connection Method		Series (bi-directional)
End of life		Short-circuit
Mechanical Characteristics		
Technology		GDT + Diode
Connection to Network		Connector F Female/Female
Format		Insulating box
Mounting		on plate
Housing material		Metal+plastic
Operating temperature		-40/+85°C
Protection rating		IP20
Failsafe behavior		Short-circuit
Disconnection indicator		transmission interrupt
Technology		DIODE+GDT+RESISTOR
Norms		
Standards compliance		IEC 61643-21 / EN 61643-21 / UL497C / UL497E
Code article		632602