



- ✓ On-Delay
- ✓ 5 time ranges
- ✓ Supply voltage 12-240V AC/DC
- ✓ 1 thyristor
- ✓ Width 22,5mm

Control elements

- ✓ Fine adjustment
- ✓ Setting of time range



TECHNICAL DATA

SUPPLY CIRCUIT

Terminals	A1-A2	
Supply voltage	B1-B2 bridged	12 ... 60 V AC/DC
		60 ... 240 V AC/DC
Supply voltage tolerance	-10 / +10 %	
Rated frequency	50/60 Hz or DC	
Rated frequency tolerance	48 ... 63 Hz	
Rated consumption	230 V AC	typ. 2,1 W / 2,6 VA
	12 V AC	typ. 1,1 W / 1,3 VA
	220 V DC	typ. 0,9 W / 0,9 VA
	12 V DC	typ. 0,7 W / 0,7 VA
Duty-cycle	100%	
Backup power time	< 30 ms	
Recovery time	> 35 ms	
Drop-out voltage	230 V AC	≥ 129 V
	12 V AC	≥ 10,3 V
	220 V DC	≥ 46 V
	12 V DC	≥ 5,4 V

TIMING CIRCUIT

Time ranges	5	0,05 ... 1 s
		0,5 ... 10 s
		3 ... 60 s
		0,5 ... 10 min
		3 ... 60 min



RANGE OF FUNCTIONS

Functions	1	ET
-----------	---	----

OUTPUT CIRCUIT

Terminals	A1-A2	
Kind of output	Thyristor	
Number of contacts	1	
Rated voltage	250 V AC	
Switching current	statical	10 up to 500 mA
	dynamical	15 A / 10 ms
Rated load	125 VA	

ACCURACY

Base accuracy		≤ 1 %
	ON-Delay	approx. ±70 ms
Setting accuracy	≤ 10 % (of full scale)	
Repeat accuracy	< 5 %	
Temperature influence	≤ 0,01 %	
Voltage influence	≤ 0,01 %	
Frequency influence	-	

ENVIRONMENTAL CONDITIONS

Ambient temperature	operation	-25 ... +60 °C
	storage	-40 ... +70 °C
Relative humidity	5 ... 95 %	
Vibration	EN 61812-1	10 ... 60 Hz: 0,15 mm; 60 ... 150 Hz: 20 m/s ²
	EN 60947-1	2 ... 13,2 Hz: 1 mm; 13,2 ... 100 Hz: 7 m/s ²
Shock	EN 60947-1	±150 m/s ² 11 ms

GENERAL DATA

Dimensions	W × H × D	22,5 x 67 x 76 mm
Mounting	DIN rail (EN60715)	
Mounting position	any	
Housing material	PA 66, self-extinguishing plastic, class V-0	
Degree of protection	housing	IP40
	terminals	IP20



GENERAL DATA

Electrical connection	V2ZET	Screw terminal
Wire size	flexible with wire end ferrule	0,5 ... 2,5 mm ² (20 AWG ... 13 AWG)
	flexible without wire end ferrule	0,5 ... 4 mm ² (20 AWG ... 12 AWG)
	rigid	0,5 ... 4 mm ² (20 AWG ... 12 AWG)
Stripping length		8 mm
Tightening torque		max. 1Nm
Prospective current value		100 A
Fuse rating		500 mA fast acting
MTTF		-
Weight		72 g

ISOLATION DATA

Pollution degree (IEC 61812-1)		2
Overvoltage category (IEC 61812-1)		III
Rated Insulation voltage (IEC 61812-1)		300 V
Rated impulse withstanding voltage (IEC 61812-1)		4 kV
Insulation test voltage (IEC 61812-1)		3360 V
Insulation		Basic isolation

ISOLATION DATA

Product standard		IEC 61812-1
Interference immunity	IEC 61812-1	Class A
Interference emission	IEC 61812-1	Class A
Approvals		CE, EAC



VEO

TIME RELAY / ON-DELAY, 2-WIRE CONNECTION

V2ZET 12-240V AC/DC

Art.Nr.: 125130

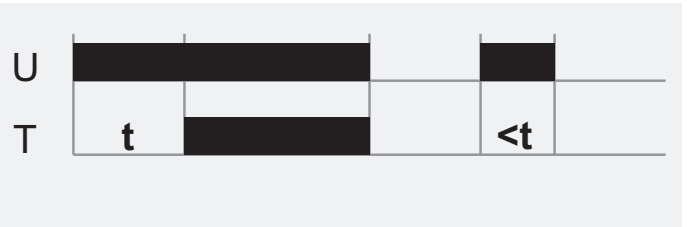


FUNCTIONS

ON delay two wire connected (E)

When the supply voltage U is applied, the set interval t begins. After the interval t has expired the thyristor switches on. This status remains until the supply voltage is interrupted.

If the supply voltage is interrupted before the expiry of the interval t , the interval already expired is erased and is restarted when the supply voltage is next applied.





VEO

TIME RELAY / ON-DELAY, 2-WIRE CONNECTION

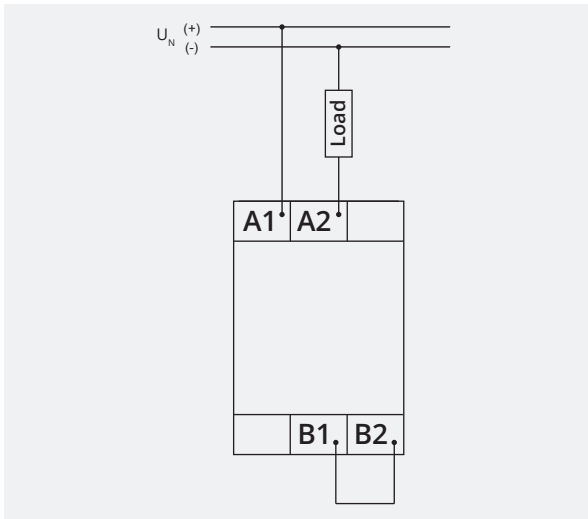
V2ZET 12-240V AC/DC

Art.Nr.: 125130

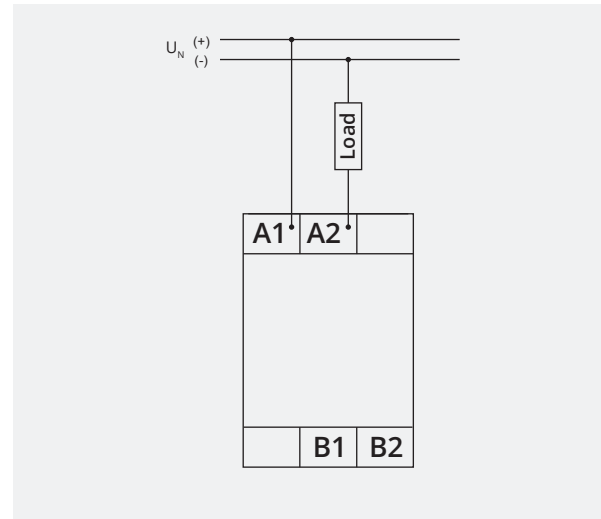


CONNECTIONS

12-60V AC/DC (B1-B2 bridged)



60-240V AC/DC





VEO

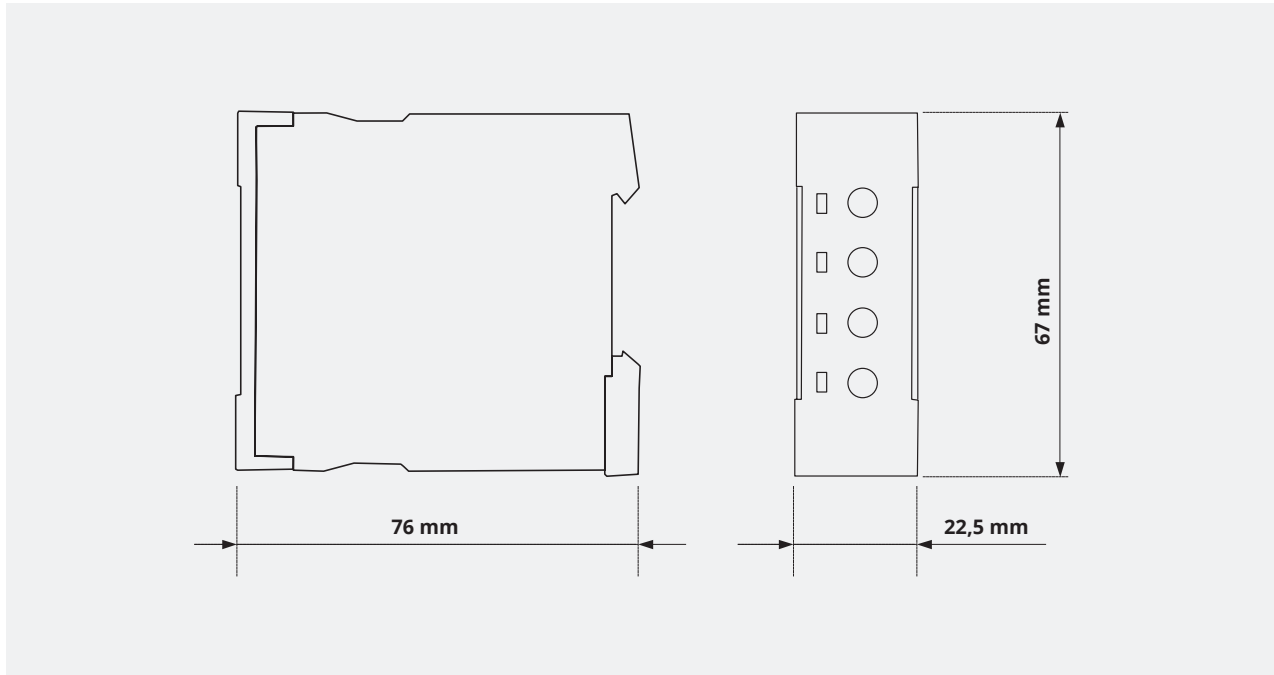
TIME RELAY / ON-DELAY, 2-WIRE CONNECTION

V2ZET 12-240V AC/DC

Art.Nr.: 125130



DIMENSIONS



CONTACT



TELE Haase Steuergeräte Ges.m.b.H.

Vorarlberger Allee 38
1230 Vienna
Austria

CALL US



+43 / 1 / 614 74 - 0

ONLINE SUPPORT



info@tele-online.com