

# Accessories - Load monitors

## Power modules - TR series

### Technical data

#### 1. Function

Plug-in power modul for transforming the supply voltage at terminals A1-A2 of TELE load monitors series GAMMA and VOX to internal operating voltage 24VAC.

#### 2. Mechanical design

Sealed self-extinguishing plastic housing. IP-rating IP40 (if mounted).

#### 3. Electrical data and types

Tolerance: 0.85 to 1.1 x  $U_N$   
 Rated frequency: 50/60Hz  
 Duration of operation: 100%

| Input   | Type         | P <sub>on</sub> | P <sub>off</sub> | design |
|---------|--------------|-----------------|------------------|--------|
| 12VAC   | TR2 - 12VAC  | 2VA             | 0.5VA            | A      |
|         | TR3 - 12VAC  | 4VA             | 1.5VA            | B      |
| 24VAC   | TR2 - 24VAC  | 2VA             | 0.5VA            | A      |
|         | TR3 - 24VAC  | 4VA             | 1.5VA            | B      |
| 42VAC   | TR2 - 42VAC  | 2VA             | 0.5VA            | A      |
|         | TR3 - 42VAC  | 4VA             | 1.5VA            | B      |
| 48VAC   | TR2 - 48VAC  | 2VA             | 0.5VA            | A      |
|         | TR3 - 48VAC  | 4VA             | 1.5VA            | B      |
| 110VAC  | TR2 - 110VAC | 2VA             | 0.5VA            | A      |
|         | TR3 - 110VAC | 4VA             | 1.5VA            | B      |
| 127VAC  | TR2 - 127VAC | 2VA             | 0.5VA            | A      |
|         | TR3 - 127VAC | 4VA             | 1.5VA            | B      |
| 230VAC  | TR2 - 230VAC | 2VA             | 0.5VA            | A      |
|         | TR3 - 230VAC | 4VA             | 1.5VA            | B      |
| 400VAC  | TR2 - 400VAC | 2VA             | 0.5VA            | A      |
|         | TR3 - 400VAC | 4VA             | 1.5VA            | B      |
| 415VAC  | TR3 - 415VAC | 4VA             | 1.5VA            | B      |
| 440VAC  | TR3 - 440VAC | 4VA             | 1.5VA            | B      |
| 500VAC* | TR3 - 500VAC | 4VA             | 1.5VA            | B      |

\* Only types BW...DA and BUT!

#### 4. Ambient conditions

Ambient temperature: -25 to +55°C  
 Storage temperature: -25 to +70°C  
 Transport temperature: -25 to +70°C  
 Relative humidity: 15% to 85%

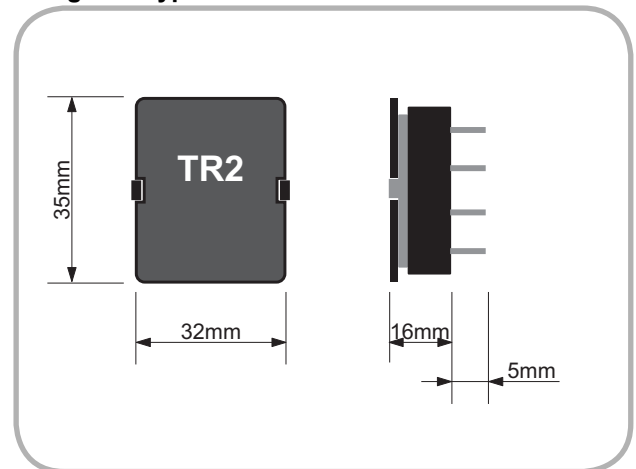
#### 5. Mounting

For mounting the module first the protective cup has to be removed. The module than can be concisely plugged into the mounting whole of the TELE monitoring relay series GAMMA or TREND.

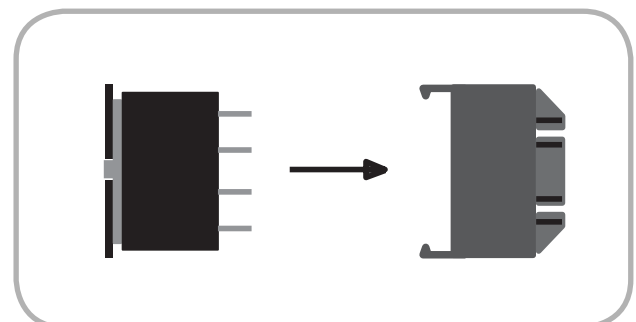
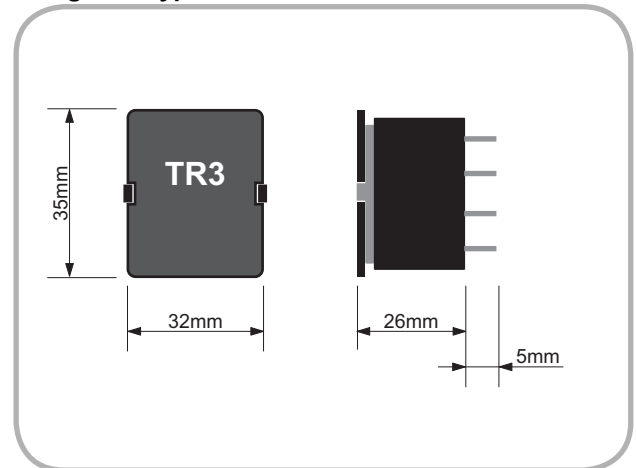


### Dimensions

#### Design A - Type TR2



#### Design B - Type TR3



Subject to alterations and errors

# Accessories - Load monitors

## Power moduls

| Series | Type                   | Supply voltage | TR2 | TR3 |
|--------|------------------------|----------------|-----|-----|
| Gamma  |                        |                |     |     |
|        | G2CU, G2CM, G2BU, G2BM | up to 400VAC   |     |     |
|        |                        |                |     |     |
| VOX    |                        |                |     |     |
|        | BU, BW                 |                |     |     |

## Mounting plate MP

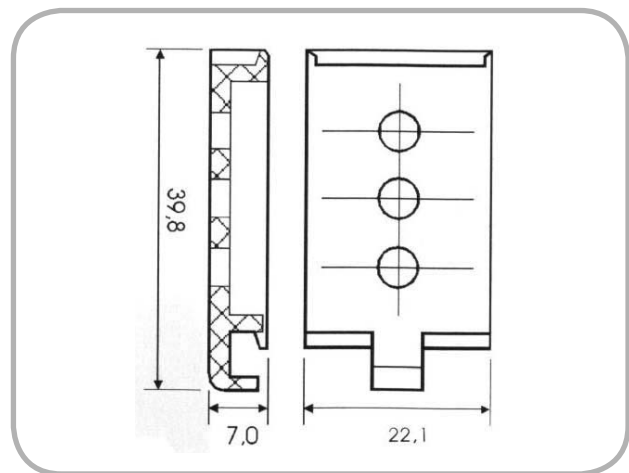
### Technical data

#### 1. Functions

Mounting plate for fixing TELE devices on a mounting plate or wall.

#### 2. Mechanical design

Self-extinguishing plastic, three drillholes diameter 4mm.



## Front cover for GAMMA series

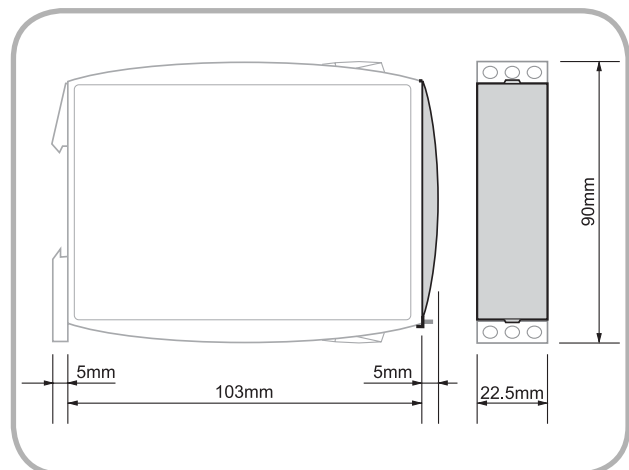
### Technical data

#### 1. Functions

Sealable front cover for GAMMA monitoring relays

#### 2. Mechanical design

Plastic cover



Subject to alterations and errors