



Active current transducer

G2IA5A 4...20mA

GAMMA series

Active current measuring

Analog output 4...20mA

Suitable for VFI (10 to 400Hz)

Zoom voltage 24V to 240V d.c. and 48V to 240V a.c.

Width 22.5mm

Industrial design



Technical data

1. Functions

Active current measuring with analog output 4 ... 20mA and the following settings which are selected by means of rotary switch:

Range measuring range reversible between: 1A, 5A,

2. Indicators

Green LED U ON: indication of supply voltage

3. Mechanical design

Self-extinguishing plastic housing, IP rating IP40

Mounted on DIN-Rail TS 35 according to EN 60715

Mounting position: any

Shockproof terminal connection according to VBG 4 (PZ1 required),

IP rating IP20

Tightening torque: max. 1Nm

Terminal capacity:

1 x 0.5 to 2.5mm² with/without multicore cable end

1 x 4mm² without multicore cable end

2 x 0.5 to 1.5mm² with/without multicore cable end

2 x 2.5mm² flexible without multicore cable end

4. Input circuit

Supply voltage: 24V to 240V d.c.
48V to 240V a.c.

Terminals: A1-A2 (galvanically separated)

Tolerance: 48V to 240V a.c. -15% to +10%
24V to 240V d.c. -20% to +25%

Rated frequency:

48 to 400Hz 48V to 240V a.c.

Rated consumption: 2.5VA (1.5W)

Duration of operation: 100%

Reset time: 500ms

Ripple and noise: -

Drop-out voltage: >30% of supply voltage

Overvoltage category: III (in accordance with IEC 60664-1)

Rated surge voltage: 4kV

5. Output circuit

1 analog output 4...20mA
Displayed range: 4...21mA
Terminals: X1(+) - X2(-)
Settling time: <1s
Burden: max. 500Ω
Galvanic isolation: 3kV d.c.

6. Measuring circuit

Range settings I_N: reversible: 1A, 5A
Measuring range 1A: >0.035A
Measuring range 5A: >0.070A
Measuring input: current; terminals i-k
Wave form: optional
Frequency range: 10 to 400Hz
Overload capacity: 20A permanent
Input resistance: <10mΩ
Overvoltage category: III (in accordance with IEC 60664-1)
Rated surge voltage: 4kV

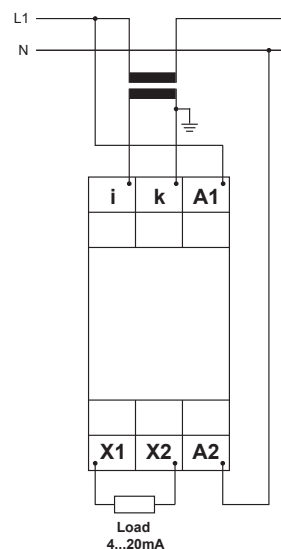
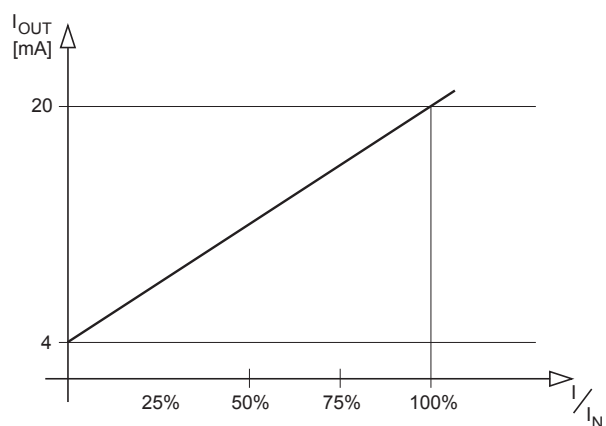
7. Accuracy

Base accuracy: ±2% (of maximum scale value)
Frequency influence: ±0.025% / Hz
Voltage influence: -
Temperature influence: ≤0.05% / °C

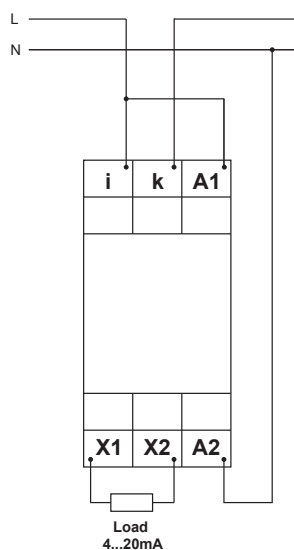
8. Ambient conditions

Ambient temperature: -25 to +55°C
(in accordance with IEC 60068-1)
-25 to +40°C (in accordance with UL 508)
Storage temperature: -25 to +70°C
Transport temperature: -25 to +70°C
Relative humidity: 15% to 85%
(in accordance with IEC 60721-3-3
class 3K3)
Pollution degree: 3 (in accordance with IEC 60664-1)
Vibration resistance: 10 to 55Hz 0.35mm
(in accordance with IEC 60068-2-6)
Shock resistance: 15g 11ms
(in accordance with IEC 60068-2-27)

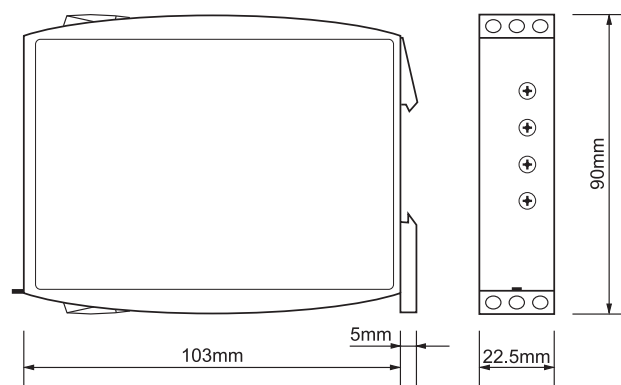
Functions



Connections



Dimensions



RELEASE 2012/03

Subject to alterations and errors