



- Miniature power relay
- 4 change over contacts
- Hand operation
- Position indicator via LED
- Plug-in housing



Technical data

1. Mechanical Design

Self-extinguishing plastic housing, IP rating IP40
Mounting position: any

2. Coil

Duration of operation: 100%
AC-Type:

Type	Rated voltage AC	Coil resistance Ω ($\pm 10\%$)
RM 512L	12V AC	39.5
RM 524	24V AC	158
RM 524L		
RM 524.02L		
RM 548L	48V AC	640
RM 615L	115V AC	3610
RM 615.02L		
RM 730	230V AC	16100
RM 730L		
RM 730.02L		

L LED
RM xxx.02 gold-plated contacts

Rated frequency: 50/60Hz
Rated consumption AC: 1.6VA
Must release voltage: $\geq 0.2 \times U_N$
Tolerance: 0.8 to 1.1 x U_N

DC-Type:

Type	Rated voltage DC	Coil resistance Ω ($\pm 10\%$)
RM 012L	12V	160
RM 012.02LD		
RM 024		
RM 024L	24V	640
RM 024LD		
RM 024.02L		
RM 024.02LD	48V	2600
RM 048L		
RM 048.02LD		
RM 060L	60V	4000
RM 060.02LD		
RM 110L	110V	13600
RM 110.02LD		
RM 220L	220V	54000
RM 220.02LD		

L LED
LD LED and recovery diode
RM xxx.02 gold-plated contacts

Rated consumption: 0.9W
Must release voltage: $\geq 0.1 \times U_N$
Tolerance: 0.8 to 1.1 x U_N

3. Contacts

Rated switching voltage: 250V AC
Switching voltage: max. 250V AC
min. 10V (AgNi), min. 5V (AgNi/Au 5 μ m)

Rated load: AC1: 6A / 250V AC
AC15: 1,5A / 120V
0,75A / 240V (C300)
AC3: 125W (single-phase motor)
DC1: 6A / 24V DC
DC13: 0,22A / 120V
0,1A / 250V (R300)

Rated switching current: 6A
Min. switching current: 5mA
Rated inrush current: 12A
Breaking capacity: AC1: max. 1500VA
DC1: max. 144W
min. 0.3W
min. 0.1W (AgNi/Au 5 μ m)
Contact resistance: $\leq 100m\Omega$
Switching frequency: max. 20/min at rated load AC1
max. 300/min, no load
Contact material: AgNi or AgNi/Au 5 μ m (.02 gold-plated contacts)

4. General data

Operating time
AC: 10ms
DC: 13ms
Release time
AC: 8ms
DC: 3ms
Mechanical life: 20 x 10⁶ switching cycles
Electrical life: 10 x 10⁴ switching cycles at 6A / 250V (AC1)
Reduction factors for other loads
see diagrams page 2
Vibration: 5g (10 to 150Hz)
Shock resistance: 10g / 5g (NO/NC)

5. Insulation (according to EN 60664-1)

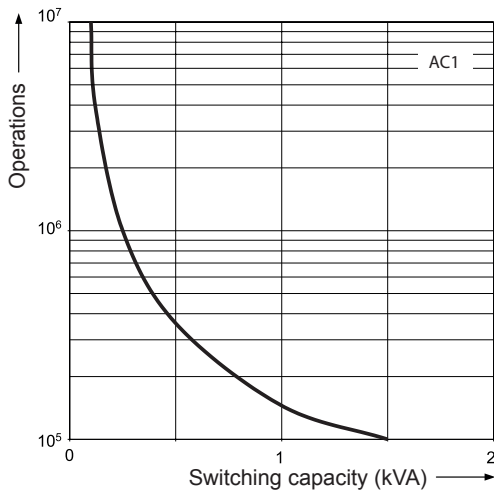
Insulation rated voltage: 250V AC
Dielectric strength test voltage:
Coil - contact: 2500V AC
Contact - contact: 1500V AC
Pole - pole: 2500V AC
Insulation:
Coil - contact: basic
Pole - pole: basic
Clearance contact - contact: micro-disconnection
Rated surge voltage: 2500V
Overvoltage category: II
Contact - coil distance:
Clearance: $\geq 1,6$ mm
Creepage: $\geq 3,2$ mm
Insulation pollution degree: 2

6. Ambient conditions

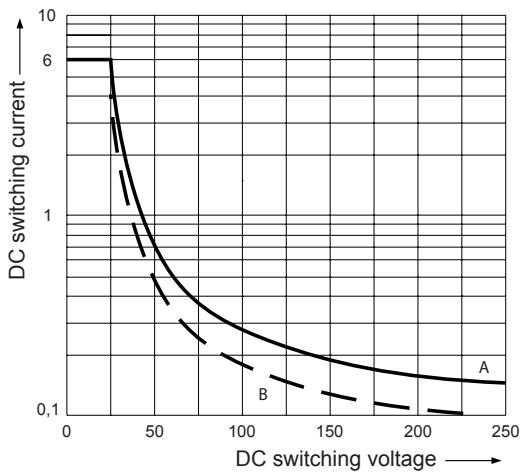
Ambient temperature:
AC: -40 to +55°C
DC: -40 to +70°C
Storage temperature: -40 to +85°C

Reduction factors

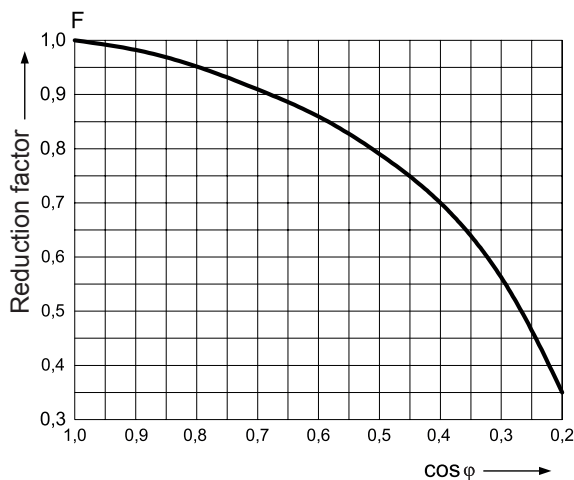
Reduction of electrical life depending on load



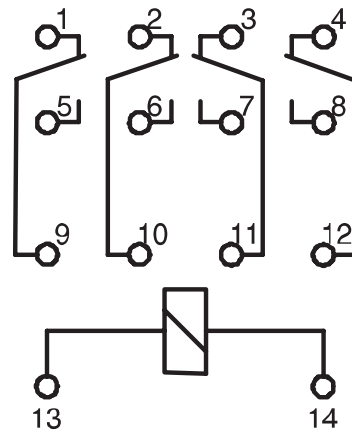
Reduction of switching capacity depending on switching voltage



Reduction of electrical life depending on switching voltage



Connections



Dimensions

