

**Socket for 11-pin standard relay according to IEC 67-I-18b**

<b>Type</b>	<b>S3-MP</b> 3-pole, 1 connection level Integrated retaining clip and labelling space Accepts plug-in modules M3P in parallel with the coil
<b>Rated current</b>	<b>10 A</b>
<b>Specifications</b>	
Rated load	10 A / 250 V
Insulation	Test voltage V rms / 1 min
– All terminals/DIN rail	2,5 kV
– Terminal/terminal	2,5 kV
Cross-section of connecting wire	
– Single-wire	4 mm <sup>2</sup> or 2 x 2,5 mm <sup>2</sup>
– Multi-wire	22 - 14 AWG
Max. screw torque	0.7 Nm
Screw dimensions	M3, Pozi, slot
Integrated retaining clip/plastic	for relay series C3
Labelling space	detachable
Connection label	1...11; DIN/EN
Mounting	DIN rail T35 or mounting plate
Ambient temperature operation/storage	-40 (no ice)...60 °C / -40 ... 80 °C
Weight	54g
<b>Associated, plug-in 11-pin MRC relays</b>	<b>C3-A, C3-G, C3-T, C3-X, C3-M, C3-R, C3-N</b>
Suitable for holding the Releco coding ring	
For coding the relay and the socket.	

**Accessories**

Coding ring, blue set:

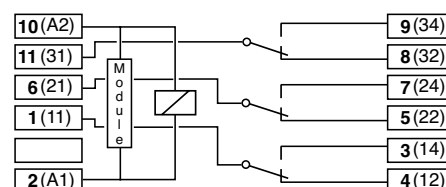
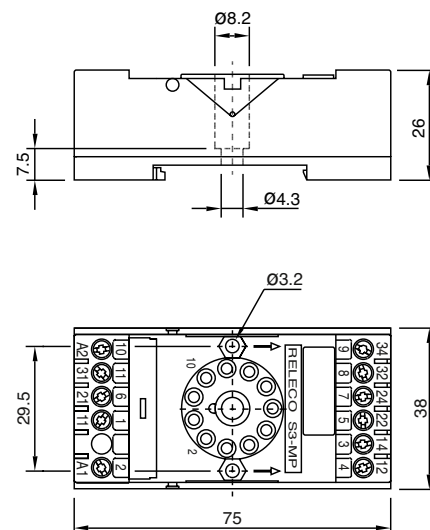
Parallel module

Retaining spring, steel

Retaining clip, plastic

**S3-BC**

Packaging unit: 5 pcs

**M3P****HF-32, S3-CT** (with Timecube)**CP-15B****Connection diagram****Dimensions [mm]****Technical approvals, conformities**

EN 60947-1, EN 61810-1