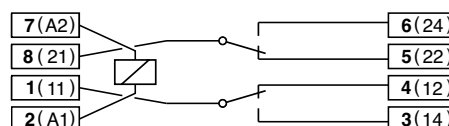
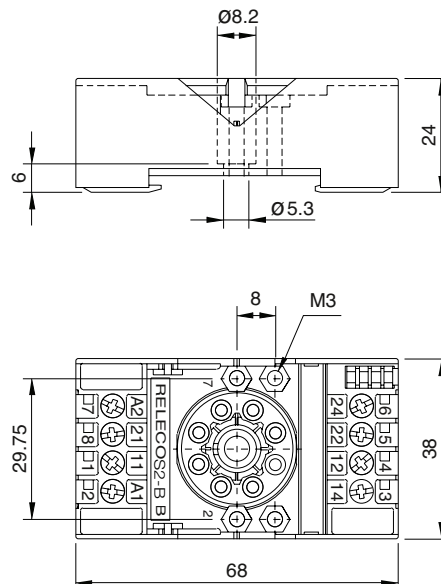


**Socket for 8-pin standard relay according to IEC 67-I-5B**

<b>Type</b>	<b>S2-B</b> 2-pole, 1 connection level Coding ring optional Integrated retaining clip and labelling space
<b>Rated current</b>	<b>10 A</b>
<b>Specifications</b>	
Rated load	10 A / 300 V
Insulation	Test voltage V rms / 1 min
– All terminals/DIN rail	2,5 kV
– Terminal/terminal	2,5 kV
Cross-section of connecting wire	
– Single-wire	4 mm <sup>2</sup> or 2 x 2,5 mm <sup>2</sup>
– Multi-wire	22 - 14 AWG
Max. screw torque	0.7 Nm
Screw dimensions	M3, Pozzi, slot
Integrated retaining clip/plastic	for relay series C2
Labelling space	detachable
Connection label	1...8; DIN/EN
Mounting	DIN rail T35 or mounting plate
Ambient temperature operation/storage	-40 (no ice)...60 °C / -40 ... 80 °C
Weight	48g

<b>Associated, plug-in 8-pin MRC relays</b>	<b>C2-A, C2-G, C2-T</b>
Suitable for holding the Releco coding ring For coding the relay and the socket.	

<b>Accessories</b>	
Coding ring, blue set:	<b>S2-BC</b>
Retaining spring, steel	Packaging unit: 5 pcs <b>HF-32, S3-CT</b> (with Timecube)
Retaining clip, plastic	<b>CP-15B</b>

**Connection diagram****Dimensions [mm]****Technical approvals, conformities**

EN 60947-1, EN 61810-1