

Softstarter 2 phases switched- CCM3H415DS

Type: CCM3H415DS

The motor contactor CCM3H415DS have two switched phases and a nominal current of 15 A.

Output

Switching element	Thyristor
Numbers of phases	2
Bypass	—
Nominal voltage (U_{nom})	400 VAC
Output voltage range	400 – 480 VAC
Reverse voltage	1200 V _{rrm}
Peak reverse voltage	1300 V _{rsm}
Min. load	3 A
Max. leakage current	5 mA
Max. inrush current	90 A
Operation current AC-53B @ U_{nom}	15 A
Switching cycles / h	120 cycles/h
Startup time	1 period
Deceleration time	1 period
Limit load	1800 A ² s

Input

Voltage	24 – 60 VDC / 24 – 480 VAC
Min. voltage	20,4 VAC
Max. voltage	253 VAC
Release voltage	5 VAC
Max. current	15 mA

Insulation

Insulation voltage	4 kV
Dielectric strength	660 V

General Specifications

Ambient temperature storage/operation	-20 – 80°C / -5 – 40°C
Connection terminals	Screw terminal 6 mm ²
Ingress protection degree	IP 20
Mounting	DIN rail TS35
Housing material	PPE Noryl SE1 / Aluminium
Weight	650 g

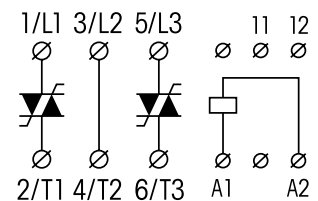
Standard type

Starting Torque Limiter

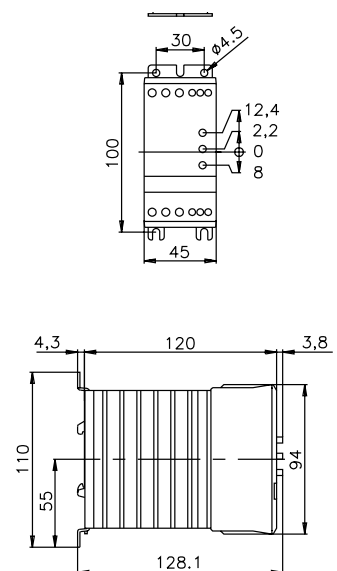
CCM3H415DS



Connection diagram



Dimensions [mm]



Technical approvals, conformities

