



# VEO

TIME RELAY / SINGLE-FUNCTION TIME RELAY

## V2ZE10 24-240V AC/DC

Art.Nr.: 125110

## V2ZE10P 24-240V AC/DC

Art.Nr.: 125610



- ✓ On-Delay
- ✓ 10 time ranges
- ✓ Supply voltage 24-240V AC/DC
- ✓ 1 change-over contact
- ✓ Width 22,5mm

### Control elements

- ✓ Fine adjustment
- ✓ Setting of time range

### Status indication

- ✓ LED U/t: Supply voltage
- ✓ LED R: Relay status



## TECHNICAL DATA

### SUPPLY CIRCUIT

Terminals	A1-A2	
Supply voltage	24 ... 240 V AC/DC	
Supply voltage tolerance	-15 / +10 %	
Rated frequency	50/60 Hz or DC	
Rated frequency tolerance	48 ... 63 Hz	
Rated consumption	230 V AC	typ. 0,35 W / 0,7 VA
	24 V DC	typ. 0,25 W / 0,25 VA
Standby consumption	230 V AC	typ. 0,16 W / 0,3 VA
	24 V DC	typ. 0,03 W / 0,09 VA
Duty-cycle	100%	
Backup power time	< 30 ms	
Recovery time	> 100 ms	
Drop-out voltage	≥ 15,5 V	

### TIMING CIRCUIT

Time ranges	10	0,05 ... 1 s
		0,15 ... 3 s
		0,5 ... 10 s
		1,5 ... 30 s
		3 ... 60 s
		9 ... 180 s
		0,5 ... 10 min
		3 ... 60 min
		0,5 ... 10 h
		5 ... 100 h



# VEO

TIME RELAY / SINGLE-FUNCTION TIME RELAY

## V2ZE10 24-240V AC/DC

Art.Nr.: 125110

## V2ZE10P 24-240V AC/DC

Art.Nr.: 125610



### RANGE OF FUNCTIONS

Functions	1	E
-----------	---	---

### STATUS INDICATION

Supply voltage / time lapse	LED U/t (green) on	supply voltage applied
	LED U/t (green) flashes	indication of lapse of time
Relay status	LED R (yellow) on	output relay energized

### OUTPUT CIRCUIT

Terminals	15-16-18	
Kind of output	Relay	
Number of contacts	change-over contact	1
Contact material	AgNi	
Rated voltage (IEC 60947-5-1)	250 V	
Maximum switching voltage	400 V AC	
Minimum switching voltage / switching current	12 V / 10 mA	
Rated current (IEC 60947-5-1)	AC-1	8 A / 250 V
	AC-15	1,5 A / 240 V (B300)
	DC-12	8 A / 24 V
Endurance	mechanical	20 x 10 <sup>6</sup> switching cycles
	electrical (AC-1)	100 x 10 <sup>3</sup> switching cycles
Rated frequency of operation	with load	6/min
	without load	1200/min
Fuse rating	8 A fast acting	

### ACCURACY

Base accuracy	< 1 % (of full scale)
Setting accuracy	< 5 % (of full scale)
Repeat accuracy	< 0,5 % or ±5 ms
Temperature influence	< 0,01 % / °C
Voltage influence	-
Frequency influence	-



# VEO

TIME RELAY / SINGLE-FUNCTION TIME RELAY

## V2ZE10 24-240V AC/DC

Art.Nr.: 125110

## V2ZE10P 24-240V AC/DC

Art.Nr.: 125610



### ENVIRONMENTAL CONDITIONS

Ambient temperature	operation	-25 ... +60 °C
	storage	-40 ... +70 °C
Relative humidity		5 ... 95 %
Vibration	EN 61812-1	10 ... 60 Hz: 0,15 mm; 60 ... 150 Hz: 20 m/s <sup>2</sup>
	EN 60947-1	2 ... 13,2 Hz: 1 mm; 13,2 ... 100 Hz: 7 m/s <sup>2</sup>
Shock	EN 60947-1	±150 m/s <sup>2</sup> 11 ms

### GENERAL DATA

Dimensions	W × H × D	22,5 x 67 x 76 mm
Mounting		DIN rail (EN60715)
Mounting position		any
Housing material		PA 66, self-extinguishing plastic, class V-0
Degree of protection	housing	IP40
	terminals	IP20
Electrical connection	V2ZE10	Screw terminal
Wire size	flexible with wire end ferrule	0,5 ... 2,5 mm <sup>2</sup> (20 AWG ... 13 AWG)
	flexible without wire end ferrule	0,5 ... 4 mm <sup>2</sup> (20 AWG ... 12 AWG)
	rigid	0,5 ... 4 mm <sup>2</sup> (20 AWG ... 12 AWG)
Stripping length		8 mm
Tightening torque		max. 1Nm
Electrical connection	V2ZE10P	Push-in terminal
Wire size	flexible with wire end ferrule	0,25 ... 1,5 mm <sup>2</sup> (24 AWG ... 16 AWG)
	flexible with plastic ferrule	0,25 ... 0,75 mm <sup>2</sup> (24 AWG ... 19 AWG)
	flexible without wire end ferrule	0,2 ... 1,5 mm <sup>2</sup> (24 AWG ... 16 AWG)
	rigid	0,2 ... 1,5 mm <sup>2</sup> (24 AWG ... 16 AWG)
Stripping length		8 mm
MTTF		-
Weight		84 g

### ISOLATION DATA

Pollution degree (IEC 61812-1)		2
Overvoltage category (IEC 61812-1)		III



# VEO

TIME RELAY / SINGLE-FUNCTION TIME RELAY

## V2ZE10 24-240V AC/DC

Art.Nr.: 125110

## V2ZE10P 24-240V AC/DC

Art.Nr.: 125610



### ISOLATION DATA

Rated Insulation voltage (IEC 61812-1)	supply circuit / output circuit	300 V
Rated impulse withstanding voltage (IEC 61812-1)	supply circuit / output circuit	6 kV
Insulation test voltage (IEC 61812-1)	supply circuit / output circuit	3200 V
Insulation	supply circuit / output circuit	protective seperation

### STANDARDS

Product standard	IEC 61812-1	
Interference immunity	IEC 61812-1	class A
Interference emission	IEC 61812-1	class A
Approvals		



# VEO

TIME RELAY / SINGLE-FUNCTION TIME RELAY

## V2ZE10 24-240V AC/DC

Art.Nr.: 125110

## V2ZE10P 24-240V AC/DC

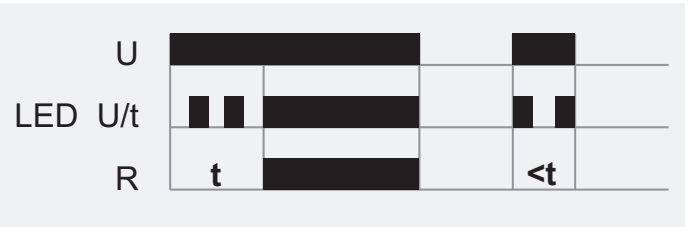
Art.Nr.: 125610



## FUNCTIONS

### ON delay (E)

When the supply voltage  $U$  is applied, the set interval  $t$  begins (green LED  $U/t$  flashes). After the interval  $t$  has expired (green LED  $U/t$  illuminated) the output relay  $R$  switches into on-position (yellow LED illuminated). This status remains until the supply voltage is interrupted. If the supply voltage is interrupted before the expiry of the interval  $t$ , the interval already expired is erased and is restarted when the supply voltage is next applied.





# VEO

TIME RELAY / SINGLE-FUNCTION TIME RELAY

## V2ZE10 24-240V AC/DC

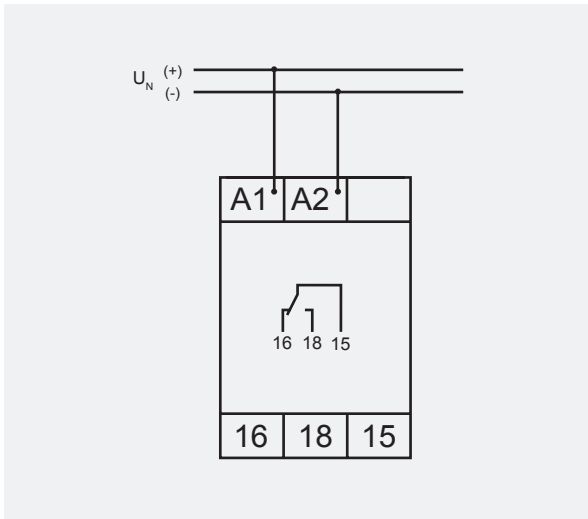
Art.Nr.: 125110

## V2ZE10P 24-240V AC/DC

Art.Nr.: 125610



## CONNECTIONS





# VEO

TIME RELAY / SINGLE-FUNCTION TIME RELAY

## V2ZE10 24-240V AC/DC

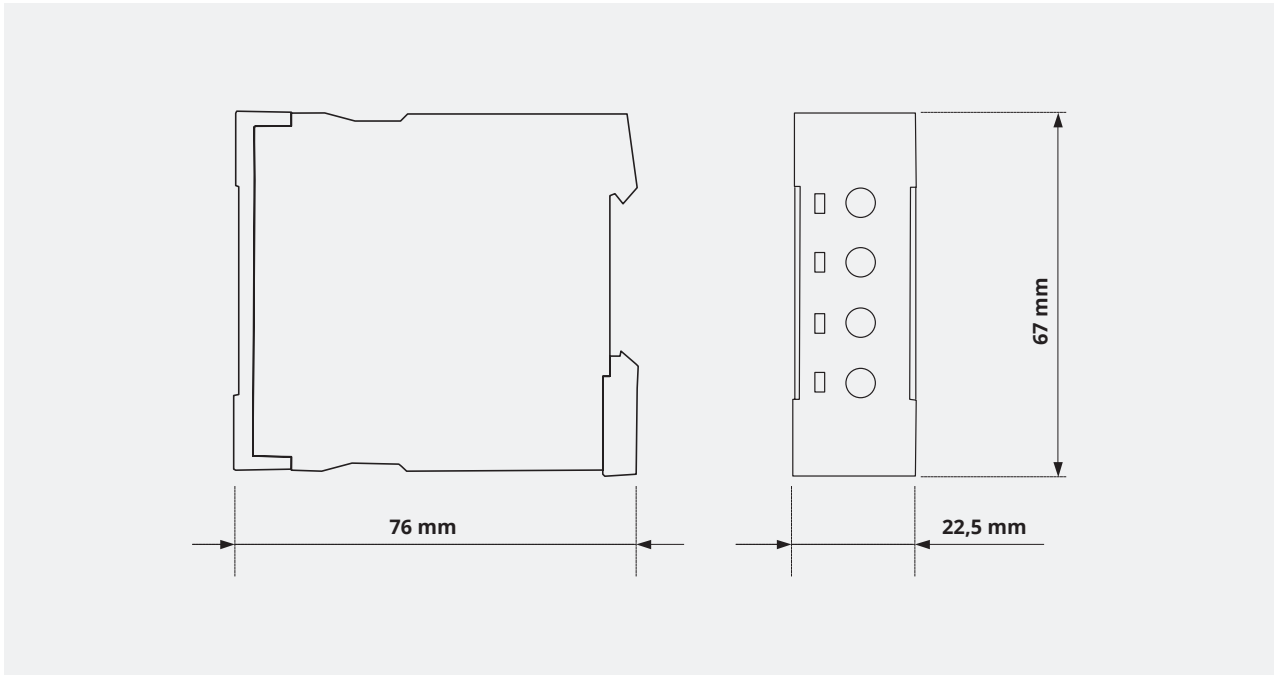
Art.Nr.: 125110

## V2ZE10P 24-240V AC/DC

Art.Nr.: 125610



## DIMENSIONS



## CONTACT



**TELE Haase Steuergeräte Ges.m.b.H.**

Vorarlberger Allee 38  
1230 Vienna  
Austria

CALL US



+43 / 1 / 614 74 - 0

ONLINE SUPPORT



info@tele-online.com