

- ▶ Functions ON/OFF IMPULS, MANUAL
- ▶ 2 or 4 co contacts / 10A
- ▶ Daily-, weekly- and yearly program
- ▶ Automatic summertime change over
- ▶ Elapsed time and pulse counter
- ▶ Unrestricted block-programming
- ▶ 300 memory locations
- ▶ Function ext. Input
- ▶ Function Cycle
- ▶ DCF77 signal control optional
- ▶ Manual override
- ▶ Data-key Save 'n carry pro (optional)
- ▶ Unlimited program security
- ▶ Security by PIN-Coding
- ▶ Supply voltage independent programming
- ▶ Width 71.5mm, Installation design



Technical data

1. Functions

Automatic ON
Automatic OFF
Permanently ON/OFF
Function Pulse: pulse length (settable from 00:01 up to 59:59 mm:ss)
Cycle function / Recycler function:
Selection of 4 different cycles for each programming step.
(Pulse/Pause length (0:00:01 up to 9:59:59 h:mm:ss).
For use with switching times,
Front-key function /Channel-key function and External input
Function External input: as trigger for different functions (ON/OFF, cycle, permanent,timer)
External Input 1 = 230 V
External Input 2 = 0 V zero potential
(Activation of input no. 2 by short-circuit between contact 13 und 14)
DCF function: Radio-controlled clock (DCF) (Receiver not included in delivery)
Advance warning function for lighting applications according DIN 18015-2.
Twofold flashing warns of darkness.
Manual override
Elapsed time and pulse counter for each channel and elapsed counter for the device
Automatic summertime change over
Daily-, weekly and holiday programm
Easter function: Consideration of the yearly offset of the easter holidays
Unrestricted block-programming

2. Indicators

Illuminated LC-display
Display with a large dot matrix area

3. Time base

Crystal- or DCF77-signal control
Power reserve: >10 years
Crystal accuracy: $\pm 1s / day$
Unlimited data security by EEPROM

4. Mechanical design

Self-extinguishing plastic housing,
Mounted on DIN-Rail TS 35 according to EN 50022 or wall mounting
Shockproof terminal connection according to VBG 4 (PZ1 required), IP rating IP20
Tightening torque: max. 1Nm
Terminal capacity:
1 x 1.5mm² to 10mm² without multicore cable end
2 x 0.8mm² to 2.5mm² without multicore cable end
1 x 1.0mm² to 6mm² flexible with multicore cable end
2 x 0.8mm² to 2.5mm² flexible with multicore cable end

5. Input circuit

Supply voltage: 230V AC terminals 4-5
Tolerance: $\pm 10\%$
Rated frequency: 50 to 60Hz
Rated consumption: approx. 2VA

6. Output circuit

2 potential free change-over contacts	TSC98.20
4 potential free change-over contacts	TSC98.40
Switching capacity per channel:	2500VA (250V AC / 10A at $\cos\phi=1$)
Shortest interval:	1min (resp. 1s for impulse)

7. Ambient conditions

Ambient temperature:	-10 to +55°C
Storage temperature:	-10 to +55°C
Transport temperature:	-10 to +55°C
Relative Humidity:	<90%

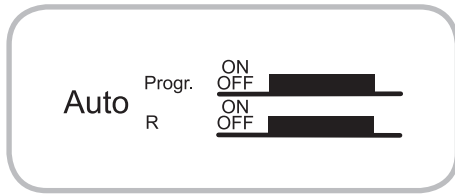
8. Accessories

Antennae for DCF77 signal on request.
It is possible to connect up to 10 TSC98 to one DCF-antennae.

Functions

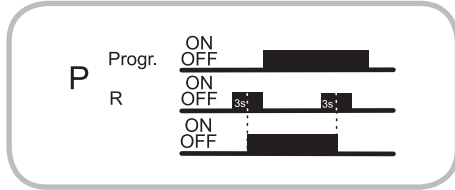
Auto

Setting of output relays according to the programmed parameters.



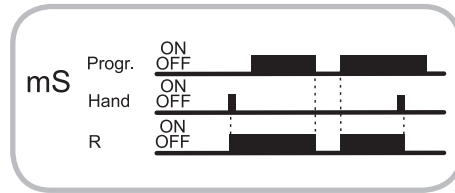
Permanently ON/OFF

With this function it is possible to fix any output relay in ON or OFF position independent to the set program parameters



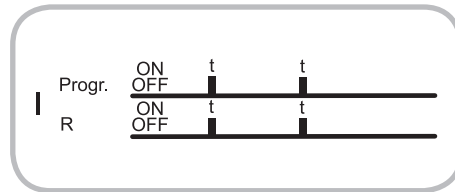
Manual override

This function forces the output relay to switch into the position given for the next program step instantaneously (even before the interval given for the actual program step has expired). The relay remains in this position until the next invers control signal of the program occurs



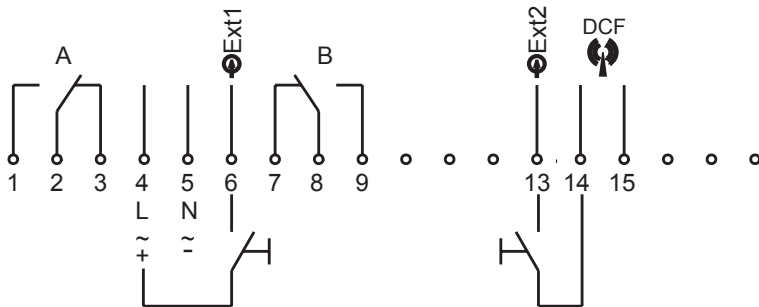
Impulse

If an impulse is set at a given time the output relay switches into on-position for the set time period.

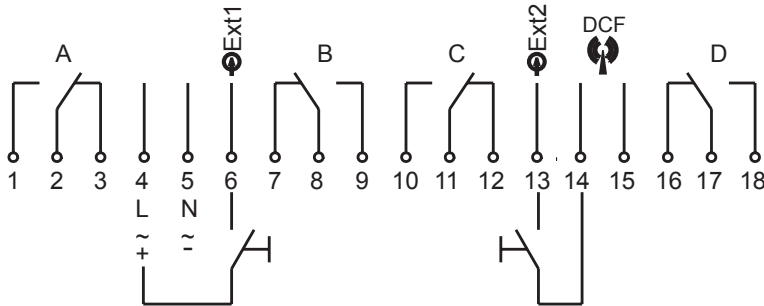


Connections

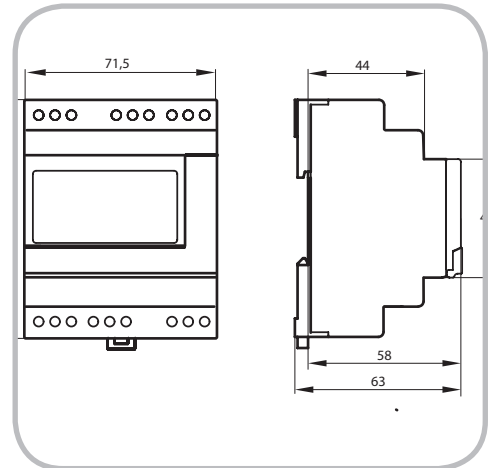
TSC 98.20 pro



TSC 98.40 pro



Dimensions



Subject to alterations and errors