

Diode gate - TREND series

- ▶ Plug-in housing
- ▶ Hight 45mm
- ▶ Width 22.5mm
- ▶ Diode gate

**Technical data****1. Functions**

Diode gate, 10 input circuits and one output circuit.

2. Mechanical design

Self-extinguishing plastic housing, IP rating IP40
Mounted on screw terminals socket 11 poles
according to IEC 67-1-18a (Type R11X or ES12)

3. Input circuit

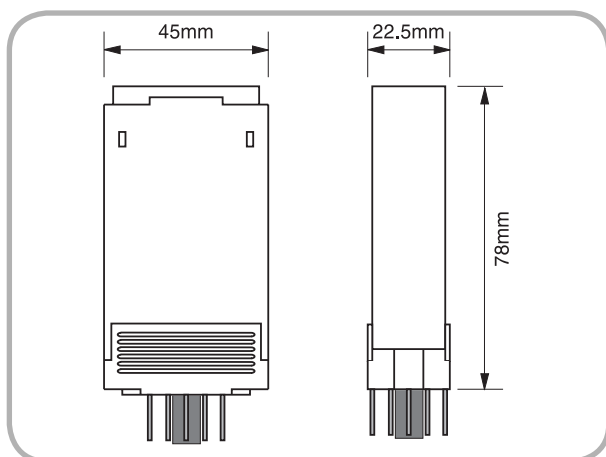
Pin 2 to 11
Semiconductor element: 10 diodes (type 1N4007)
Supply voltage: max. 250V
Peak inverse voltage: 1000V
Reverse current per diode: 5 μ A
Forward voltage: approx. 0.8V
Forward current per diode: 0.7A per channel
0.7A in total
Duration of operation: 100%

4. Output circuit

Pin 1
Semiconductor element: 1 Diode (Type 1N4007)
Supply voltage: max. 250V
Peak inverse voltage: 1000V
Reverse current per diode: 5 μ A
Forward voltage: approx. 0.8V
Forward current per diode: max. 1A

5. Ambiente conditions

Ambient temperature: -25 to +55°C
(according to IEC 68-1)
Storage temperature: -25 to +70°C
Transport temperature: -25 to +70°C
Relative humidity: 15% to 85%
(according to IEC 721-3-3 class 3K3)
Pollution degree: 3 (according to IEC 664-1)

6. Dimensions

► Connections

