

- ▶ ON delay two wire connection
- ▶ 4 time ranges
- ▶ 1 thyristor
- ▶ Width 22.5mm
- ▶ Industrial design



## Technical data

### 1. Functions

E ON delay

### 2. Time ranges

Time range	Adjustment range		
1s	100ms	1s	(D6DET 4min)
4s	400ms	4s	
30s	3s	30s	
4min	24s	4min	
10s	1s	10s	(D6DET 40min)
40s	4s	40s	
5min	30s	5min	
40min	4min	40min	

### 3. Indicators

None

### 4. Mechanical design

Self-extinguishing plastic housing, IP rating IP40  
 Mounted on DIN-Rail TS 35 according to EN 50022  
 Mounting position: any  
 Shockproof terminal connection according to VBG 4 (PZ1 required), IP rating IP20  
 Initial torque: max. 1Nm  
 Terminal capacity:  
 1 x 0.5 to 2.5mm<sup>2</sup> with/without multicore cable end  
 1 x 4mm<sup>2</sup> without multicore cable end  
 2 x 0.5 to 1.5mm<sup>2</sup> with/without multicore cable end  
 2 x 2.5mm<sup>2</sup> flexible without multicore cable end

### 5. Input circuit

Supply voltage:  
 12 to 60V AC/DC terminals A1(+)-A2, B1-B2 bridged  
 60 to 240V AC/DC terminals A1(+)-A2  
 Tolerance: -15% to +10%  
 Rated frequency: 48 to 63Hz  
 Rated consumption: max. 1.5VA (1.5W)  
 Duration of operation: 100%  
 Reset time: 100ms  
 Residual ripple for DC: 10%  
 Abfallstrom: 0.5mA

### 6. Output circuit

1 Thyristor  
 Switching capacity: 125VA  
 Switching voltage: 250V AC  
 Switching current: 10 to 500mA (statical)  
 15A/10ms (dynamical)  
 Voltage drip after time lapse: <3V  
 Quiescent current: <3mA  
 Fusing: 500mA fast acting  
 Insulation voltage: 250V AC (according to IEC 664-1)  
 Surge voltage: 4kV, overvoltage category III  
 (according to IEC 664-1)

### 7. Accuracy

Base accuracy: -  
 Adjustment accuracy: ≤10% (of maximum scale value)  
 Repetition accuracy: <5%  
 Voltage influence: -  
 Temperature influence: -

### 8. Ambient conditions

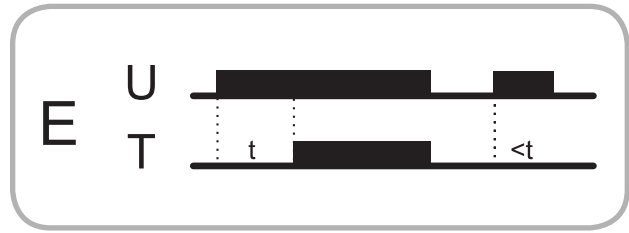
Ambient temperature: -25 to +55°C (according to IEC 68-1)  
 Storage temperature: -25 to +70°C  
 Transport temperature: -25 to +70°C  
 Relative humidity: 15% to 85%  
 (according to IEC 721-3-3 class 3K3)  
 Pollution degree: 3 (according to IEC 664-1)

## Functions

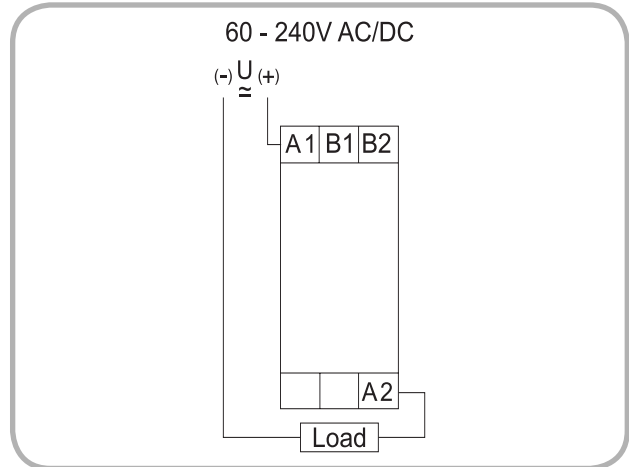
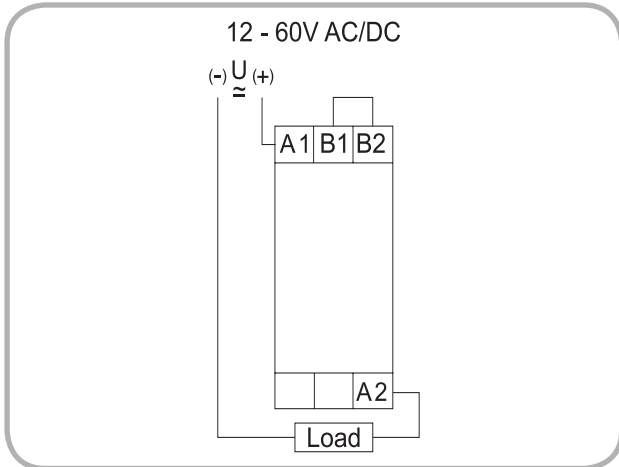
### ON delay two wire connected (ET)

When the supply voltage  $U$  is applied, the set interval  $t$  begins (green LED flashing). After the interval  $t$  has expired (green LED illuminated) the thyristor switches on. This status remains until the supply voltage is interrupted.

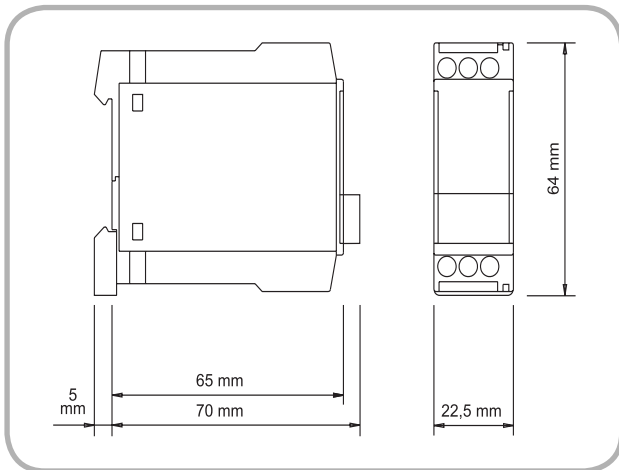
If the supply voltage is interrupted before the expiry of the interval  $t$ , the interval already expired is erased and is restarted when the supply voltage is next applied.



## Connections



## Dimensions



Subject to alterations and errors