

Q-Series miniature circuit breakers (13 & 18mm module widths)



Product Type		QA/QF (13)	QF (18)	QZ (13)	QY/QDC (13)
Standard Ampere Ratings (A)		0.1 – 50 (QA)		0.1 – 60 (UL 1077)	0.1 – 63 (1 pole)
		0.1 – 25 (QF)		5 – 50 (EN60947-2)	0.1 – 50 (2 poles)
		51 – 63A (QA, No approvals)	0.1 – 63		20 – 100 (2p parallel)
					110 – 150 (3p parallel)
Number of Poles		1, 2, 3, 1+N, 3+N	1, 2, 3, 1+N, 3+N	1, 2, 3, 1+N, 3+N	1, 2
					2, 3p parallel
					2 poles in series
Rated Voltage (V)		120V AC, 1p – (QF only)	240V AC (1p, 1p+N)	240V AC (1p, 1p+N)	80V DC
		120/240V AC, 2p – (QF only)	240/415V AC (2, 3, 3p+N)	240/415V AC (2, 3, 3p+N)	*125V DC (1, 2p & 2p parallel)
		240V AC (1p, 1p+N)	277V AC (1p)	277V AC (1p)	
		240/415V AC (2, 3, 3p+N)	277/480V AC (2, 3p)	277/480V AC (2, 3p)	*250V DC (2p in series)
Approvals & Interrupt. Capacity (kA)	VDE (EN 60947-2)	3kA – (QA) 6kA – (QF)	6kA (240/415V AC)	3kA (240/415V ac)	10kA
	CE	✓	✓	✓	✓
	UL489A				10kA (QY only)
Mounting Options	cURus (UL1077_CSA)	5kA (120/240V AC) – (QF)	3kA (277/480V AC)	5kA (277/480V ac)	
	Dual (DIN & Mini Rails)	✓		✓	✓
	DIN Rail	✓	✓	✓	✓
	Surface Clip	✓	✓	✓	✓
Plug-in					✓
Tripping curves		1, 2, 3, 9, OP	1, 2, 3, 9, OP	1, 2, 3, 9, OP	OP, U2, U3, I, 9
Resistance to shock		IEC 60068-2-27, 5G/30ms half sine wave			
Vibration		IEC 77/IEC 60068-2-6, 3G/10-150Hz			
Operating temperature		-40°C to +65°C			
Optional Accessories		<ul style="list-style-type: none"> – Aux. switch – Aux. switch + trip alarm – Handle lock – Shroud 		<ul style="list-style-type: none"> – Trip alarm – Shunt trip – Bus bar 	
Features		<ul style="list-style-type: none"> – Compact 13/18mm module widths – Precision tripping – Temperature independent trip point 		<ul style="list-style-type: none"> – Hydraulic-magnetic technology – Suitable for isolation – Mid trip handle 	

* Polarity Sensitive

Q-Series miniature circuit breakers (13 & 18mm module widths)

Features



QA/QF(13)

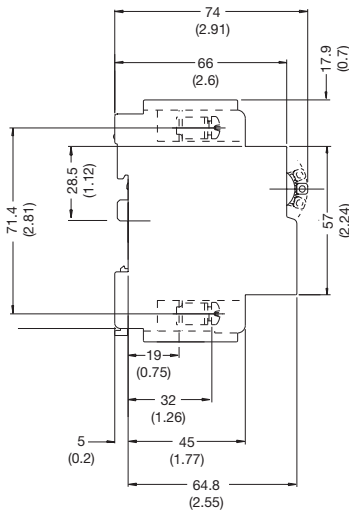
- AC circuit breakers
- cURus Recognized (QF)
- VDE, CE Approved
- One to four pole units
- Current ratings up to 50A

QZ(13)

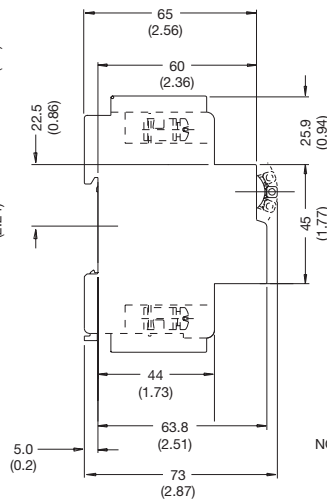
- AC circuit breaker
- cURus recognized
- VDE & CE Approved
- One to four pole units
- Current ratings up to 60A

QY/QDC(13)

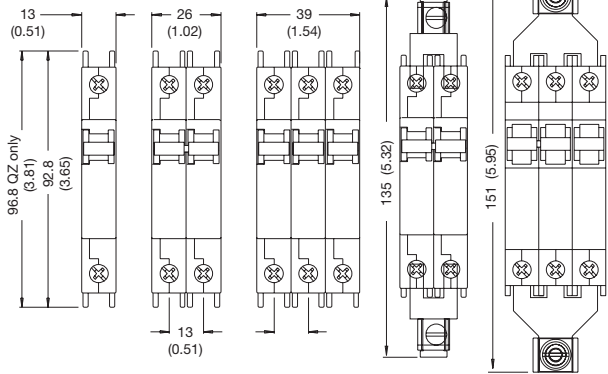
- DC circuit breakers
- VDE, CE Approved
- UL 489A Listed (QY only)
- One & two pole units
- Current ratings up to 150A
- 80, 125 & 250V dc versions (250V dc 2 poles in series)



DUAL MOUNT



DIN RAIL MOUNT



NOTE: DIMENSIONS IN BRACKETS ARE IN "INCHES"

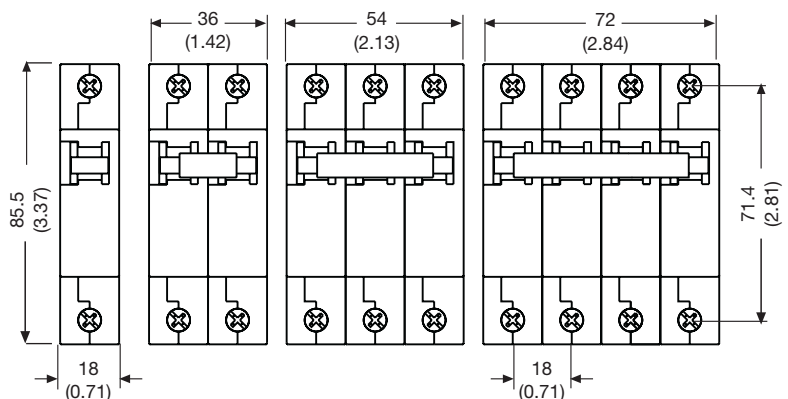
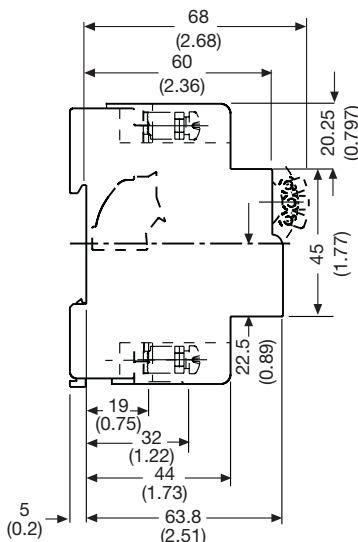
QY/QDC, 2 & 3 POLES BRIDGED IN PARALLEL

Features



QF(18)

- AC circuit breaker
- UL 1077 Recognized
- VDE, CE, CSA certified
- One to four pole units
- Current ratings up to 63A



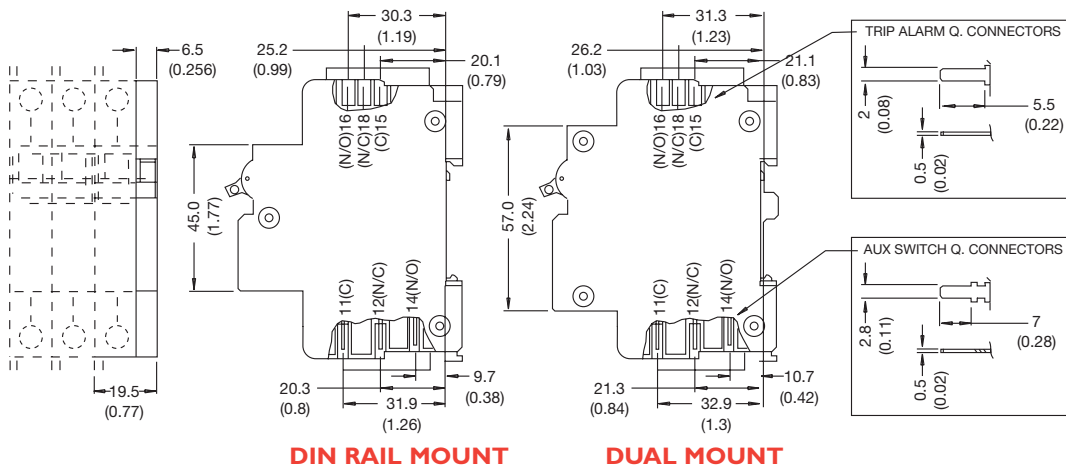
Q-Series miniature circuit breakers (13 & 18mm module widths)

Features

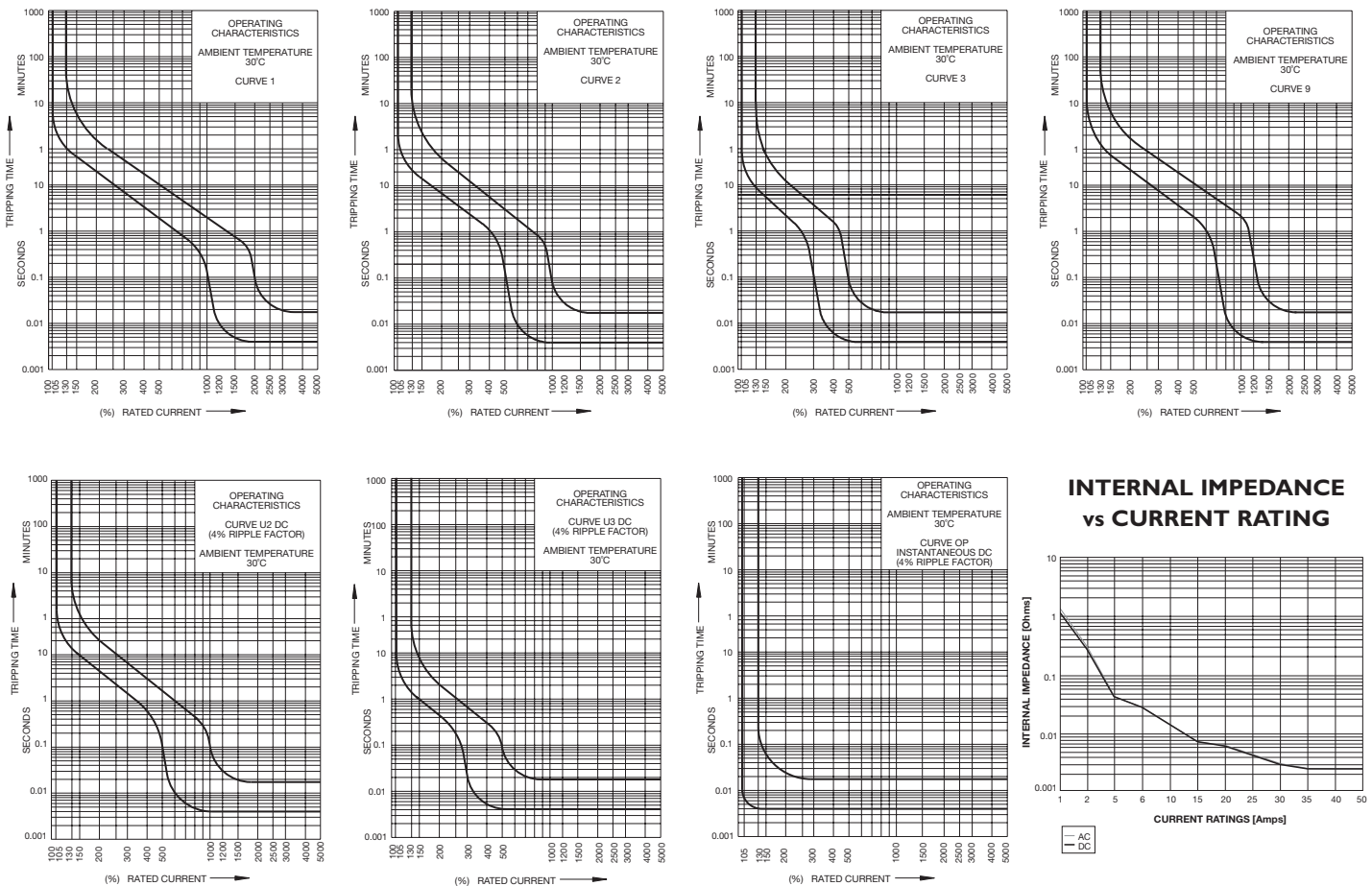


Auxiliary switch and/or Trip alarm switch

- AC and DC voltages
- UL 489 listed
(5A, 250V AC; 0.5A, 80V DC Auxiliary; 0.5A, 125V DC Trip alarm)
- IEC 60947-5-1 approved
(5A, 250V AC; 0.5A, 110V DC Auxiliary; 0.5A, 125V DC Trip alarm)
- Factory fitted
- Compact 6.5mm width
- Attached to right hand side of circuit breaker
- Available on Dual and DIN rail mounting



Standard Time Delay Curves



Q-Series miniature circuit breakers (13 & 18mm module widths)

Long Code

Group 1: Frame Type	Code	Frequency	Approvals
Group 1: Frame Type	QA(13)	AC	VDE, CE
	QF(13)	AC	cURus, VDE, CE
	QF(18)	AC	CURus, VDE, CE
	QZ	AC	CURus, VDE, CE
	QY	DC	UL489A VDE, CE
	QDC	DC	VDE, CE

Group 2:	Code	Description	Comments
Group 2:	N	Neutral	Leave blank if not applicable
	S	Switch	

Group 3: Auxiliary	Code	Description	Comments
Group 3: Auxiliary	A	Auxiliary Switch	Leave blank if not applicable
	T	Trip Alarm	
	AT	Auxiliary Switch + Trip Alarm	

Group 4: Number of Poles	Code	Description	Comments
Group 4: Number of Poles	1	Single Pole	
	2	Double Pole	
	3	Triple Pole	
	4	Four Pole	

Group 5: Module width	Code	Description	Comments
Group 5: Module width	13	13mm	
	18	18mm	

Group 6: Mounting	Code	Description	Comments
Group 6: Mounting	D	DIN – 45mm Escutcheon	
	DM	Dual Mount – DIN & Mini-Rail, 57mm Escutcheon	
	P1	Plug-in, DIN	
	P2	Plug-in, Dual Mount	

Group 7: Time Delays	Code	Description	Comments
Group 7: Time Delays	1	Curve 1	
	2	Curve 2	
	3	Curve 3	
	9	Curve 9	
	U2	Curve U2	
	U3	Curve U3	
	OP	Instantaneous	

Group 8: Current Ratings	Code	Description	Comments
Group 8: Current Ratings	0.1	0.1A	For more ratings consult factory
	0.2	0.2A	
	0.5	0.5A	
	01	1A	
	1.5	1.5A	
	02	2A	
	2.5	2.5A	
	03	3A	
	04	4A	
	05	5A	
	06	6A	
	10	10A	
	15	15A	
	16	16A	
	20	20A	
	25	25A	
	30	30A	
	32	32A	
	35	35A	
	40	40A	
45	45A		
50	50A		
60	60A		
63	63A		
70	70A		
80	80A		
100	100A		
125	125A		
150	150A		

Group 9:	Code	Description	Comments
Group 9:	B0	80V DC Bottom Connected (Positive at bottom)	Leave blank if not applicable
	B1	125V DC Bottom Connected (Positive at bottom)	
	B2	250V DC Bottom Connected (Positive at bottom)	
	T3	250V DC with + & - connecting terminals at top	
	Z	DC – Bridged (Link not supplied)	

Example codes:
QA-1(13)-DM-2-20A
QF-A-2(13)-D-1-25A
QF-N-AT-4(18)-D-9-60A
QZ-T-3(13)-D-2-60A
QDC-2(13)-DM-U2-50A-B3
QYA-3(13)-D-U2-150A-B0

A member of the REUNERT Group

South Africa

CBI-electric: low voltage
 Tripswitch Drive Elandsfontein
 Gauteng South Africa
 Tel: +27 11 928 2000
 Fax: +27 11 392 2354
 E-mail: cbi@cbi-electric.com
 Website: www.cbi-electric.com

Germany

CBI-electric: Europe
 Zeppelinstr. 4
 D-82178 Puchheim, Germany
 Tel: +49 89 60 80 77 0-0
 Fax: +49 89 60 80 77 0-11
 E-mail: office@cbibreakers.de
 Website: www.cbi-electric.com

USA

CBI-electric: North America
 35E Uwchlan Ave Suite 328
 Exton PA 19341 USA
 Tel: +1 610 524 9949
 Fax: +1 610 524 9945
 E-mail: info@cbibreakers.com
 Website: www.cbibreakers.com

Australia

CBI-electric: Australia
 821 Springvale Road Mulgrave Melbourne
 Victoria 3170 Australia
 Tel: +61 3 9560 3522
 Fax: +61 3 9562 0420
 E-mail: heinelec@heinelec.com.au
 Website: www.heinemannelectric.com.au